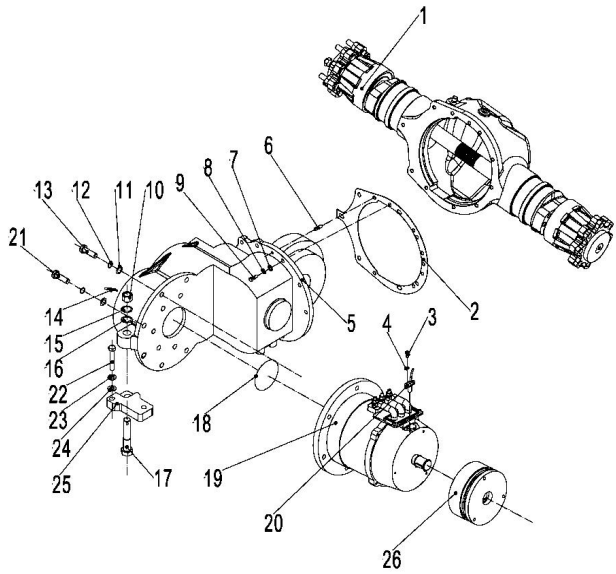


目录

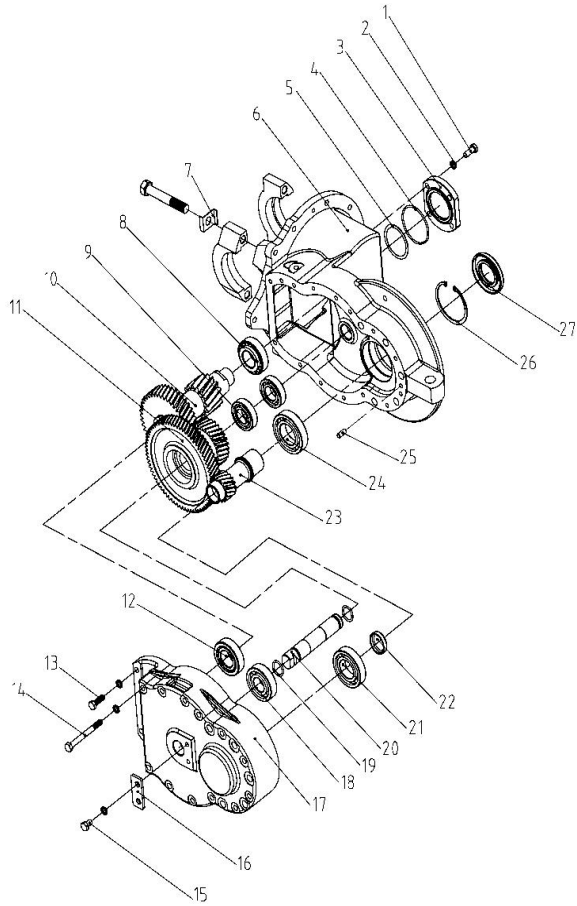
1	255098501001 驱动系统/DRIVE SYSTEM	1
2	255098501002 驱动桥(东皖) /DRIVE AXLE	2
3	255098501003 变速箱(ZC)/GEARBOX(ZC)	3
4	255098501004 差速器(ZC)/DIFFERENTIAL MECHANISM(ZC)	4
5	255098501005 变速箱(HY)/GEARBOX(HY)	5
6	255098501006 差速器(ZC)/DIFFERENTIAL MECHANISM(ZC)	6
7	255098501007 前后轮总成/WHEEL ASSEMBLY	7
8	255098501008 起升电机安装/MOTOR INSTALLATION	8
9	255098501009 转向装置及安装/STEERING GEAR AND INSTALLATION	9
10	255098501010 转向桥及安装/STEERING BRIDGE AND INSTALLATION	10-11
11	255098501011 转向油缸/STEERING CYLINDER	12
12	255098501012 座椅盖板安装/SEAT COVER MOUNTING	13-14
13	255098501013 侧板安装SIDE PANEL INSTALLATION	15
14	255098501014 仪表罩安装/INSTRUMENT COVER INSTALLATION	16
15	255098501015 平衡重及安装/BALANCE WEIGHT AND MOUNTING	17
16	255098501016 液压系统/HYDRAULIC	18
17	255098501017 多路换向阀操纵(二联)/MULTI-WAY REVERSING VALVE CONTROL(TWO)	19
18	255098501018 多路换向阀操纵(三联)MULTI-WAY REVERSING VALVE CONTROL(THREE)	20
19	255098501019 多路换向阀操纵(四联)MULTI-WAY REVERSING VALVE CONTROL(FOUR)	21
20	255098501020 工作油箱装置及安装/WORK TANK INSTALLATION AND INSTALLATION	22
21	255098501021 车架装配/FRAME ASSEMBLY	23-24
22	255098501022 护顶架装配/TOP GUARD ASSEMBLY	25
23	255098501023 货叉/FORK	26
24	255098501024 倾斜油缸/TILT CYLINDER	27
25	255098501025 门架(标准门架)/MAST(stand mast)	28
26	255098501026 货叉架(标准门架)/FORK ARM CARRIER(stand mast)	29
27	255098501027 起升油缸(标准门架)/LIFTING CYLINDER(stand mast)	30-31
28	255098501028 门架起升管路(标准门架)/SINGLE ADDITIONAL TUBE(stand mast)	32
29	255098501029 单附加管路(标准门架)DOUBLE ADDITIONAL TUBE(stand mast)	33
30	255098501030 双附加管路(标准门架)	34
31	255098501031 门架(两级全自由)/MAST(two stage full free)	35
32	255098501032 货叉架(两级全自由)/FORK ARM CARRIER(two stage full free)	36
33	255098501033 短起升油缸(两级全自由门架)/LIFTING PIPE(two stage full free)	37-38
34	255098501034 起升油缸(两级全自由门架)/LIFTING PIPE(two stage full free)	39-40
35	255098501035 门架起升管路(两级全自由门架)/SINGLE ADDITIONAL TUBE(two stage full free)	41
36	255098501036 侧移器及管路安装(二级全自由)/Side shifter and pipeline installation(two stage)	42-43
37	255098501037 双附加管路(二级全自由)/(two stage full free)	44-46
38	255098501038 门架(三级全自由门架)/MAST(three stage full free)	47-48
39	255098501039 (货叉架)三级全自由 Fork carrier(three stage full free)	49
40	255098501040 短升降油缸(三级全自由)/Short lifting cylinder(three stage full free)	50-51
41	255098501041 起升油缸(三级全自由)/Lifting cylinder(three stage full free)	52-53
42	255098501042 门架起升管路(三级全自由门架)/SINGLE ADDITIONAL TUBE(three stage full free)	54
43	255098501043 侧移器及管路安装(三级全自由)/Side shifter and pipeline installation(three sta	55-56
44	255098501044 双附加管路(三级全自由)/(three stage full free)	57-58
45	255098501045 电器系统/ELECTRONIC	59-60
46	255098501046 电控组件/ELECTRONIC COMPONENTS—Inmotion系统	61
47	255098501047 电控组件/ELECTRONIC COMPONENTS—Curtis系统	62
48	255098501048 电控组件/ELECTRONIC COMPONENTS—Curtis-F系统	63
49	255098501049 电控组件/ELECTRONIC COMPONENTS—ACM系统	64
50	255098501050 蓄电池/BATTERY	65-66

255098501001 驱动系统/DRIVE SYSTEM

序号/NO	编码/SN	名称	Name	数量/QTY	备注/Remark
1	252113510001	驱动桥	Drive axle	1	
2	255013520005	密封垫	Gasket	1	
3	910200200033	螺钉GB70.1-M6x12-8.8	Screw GB70.1 M6x12-8.8	2	
4	910400500005	弹簧垫圈 GB93-6	Spring washer gb93-6	2	
5	255014010003	变速箱HDCS30B (ZC)	transmission(ZC)	1	
5	252114010001	变速箱HDCS30-00 (HY)	transmission(HY)	1	选装
6	910600100021	圆柱销 GB119.2-8x25	Pin GB119.2-8x25	1	
7	910400100007	平垫圈 GB97.1-10-200HV	Washer GB97.1-10-200HV	12	
8	910400500007	弹簧垫圈 GB93-10	Spring washer GB93-10	12	
9	910100400004	螺栓 GB5786-M10x1.25x30-8.8	Bolt GB5786-M10x1.25x30-8.8	12	
10	910300900002	螺母 GB6178-M20-8	Nut GB6178 M20-8	1	
11	910400100009	平垫圈 GB97.1-14-200HV	Washer GB97.1-14-200HV	5	
12	910400500009	弹簧垫圈 GB93-14	Spring washer gb93-14	5	
13	910100200018	螺栓 GB5785-M14x1.5x120-10.9	Bolt GB5785-M14x1.5x120-10.9	3	
14	910600600037	开口销 GB91-4x40	Pin GB91-4x40	1	
15	910400500012	弹簧垫圈 GB93-20	Spring washer GB93-20	1	
16	910400100012	平垫圈 GB97.1-20-200HV	Washer GB97.1-20-200HV	1	
17	910100500006	螺栓 tGB31.1-M20x90-8.8	Bolt tGB31.1 M20x90-8.8	1	
18	910800100020	O形圈 90x2.65	O-ring 90x2.65	1	
19	920900100092	电机 (WN)	Motor(WN)	1	
20	252198513251	传感器 (插入式WN)	Sensor(WN)	1	
21	910100200019	螺栓 GB5785-M14x1.5x160-10.9	Bolt GB5785 - M14x1.5x160-10.9	2	
22	910100300053	螺栓GB5782-M12x45-8.8	Bolt GB5782 M12x45-8.8	2	
23	910400100008	平垫圈 GB97.1-12-200HV	Washer GB97.1-12-200HV	2	
24	910400500008	弹簧垫圈GB93-12	Spring washer GB93-12	2	
25	255014022001	过渡块	The transition piece	1	
26	252132010001	电磁制动器	Electromagnetic brake	1	

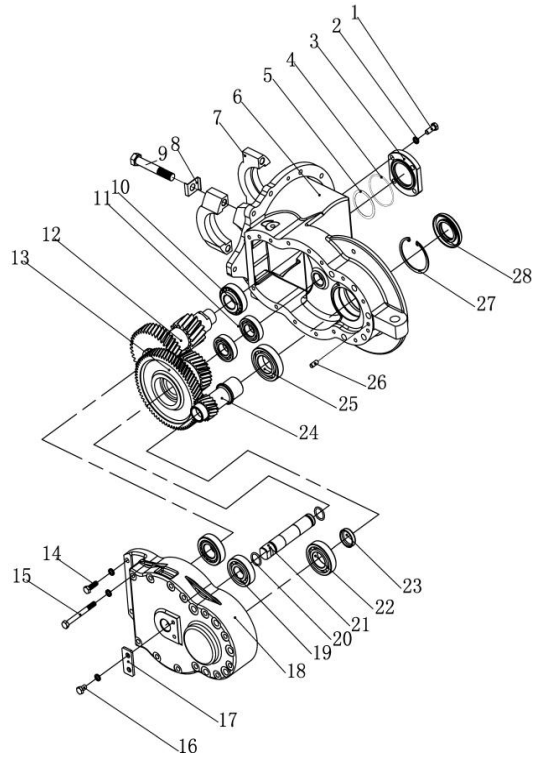


255098501003 变速箱 (ZC) / GEARBOX (ZC)



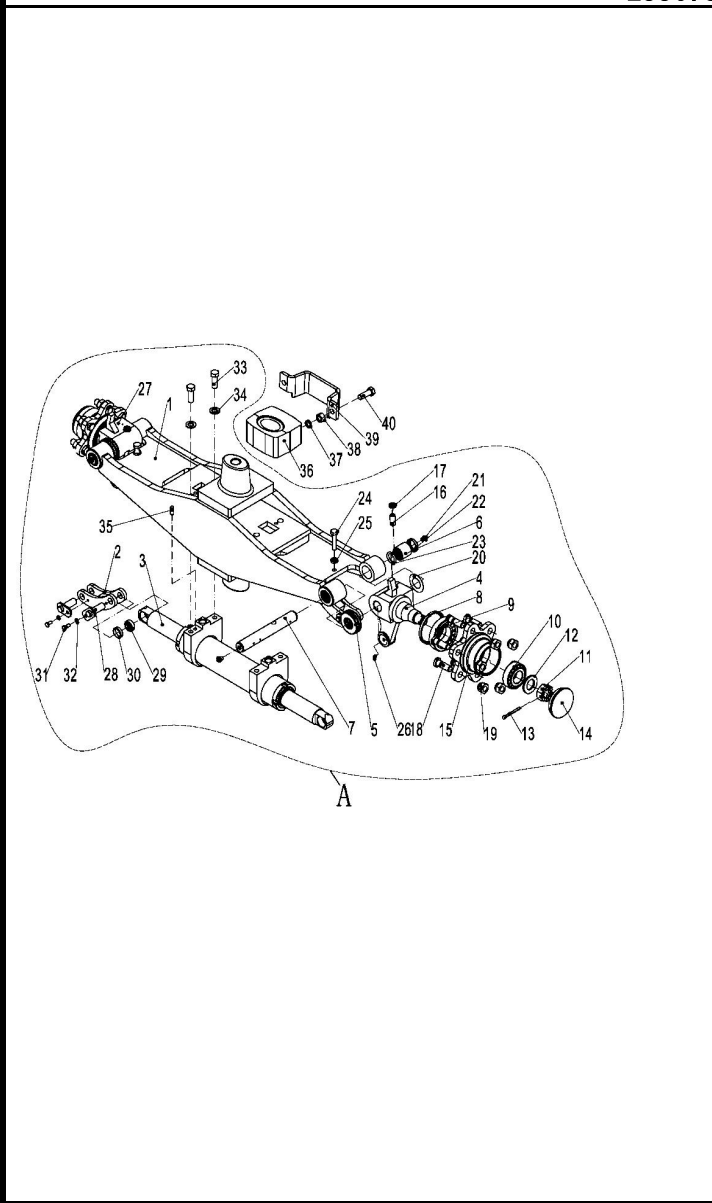
序号/NO	编码/SN	名称	Name	数量/QTY	备注/Remark
1	910100300036	螺栓M10×25	Bolt M10×25	4	ZC
2	910400500007	弹簧垫圈10	Spring washer 10	20	ZC
3	255098524050	轴承盖Y30H-09001	Bearing cap Y30H-09001	1	ZC
4	910800100032	O型圈75×3.1	O-ring 75×3.1	1	ZC
5	255098524051	齿轴垫片Y30H-09002A	Gear shaft gasket Y30H-09002A	AR	ZC
5	255098524052	齿轴垫片Y30H-09002B	Gear shaft gasket Y30H-09002B	AR	ZC
5	255098524053	齿轴垫片Y30H-09002C	Gear shaft gasket Y30H-09002C	AR	ZC
5	255098524054	齿轴垫片Y30H-09002D	Gear shaft gasketY30H-09002D	AR	ZC
6	255098524055	箱体组件HDCSB30-01200	Body components HDCSB30-01200	1	ZC
7	255098524056	轴承座锁片YQX25-01008	Lock plate of bearing seat YQX25-010	4	ZC
8	255098524023	圆锥滚子轴承32207	Bearing 32207	2	ZC
9	910700200021	深沟球轴承6206	Bearing 6206	2	ZC
10	255098524057	齿轴HDCSB30-04000-1	Axis HDCSB30-04000-1	1	ZC
11	255098524058	双联齿轮HDCSB30-03000-1	Duplicate gear HDCSB30-03000-1	1	ZC
12	910100300039	螺栓 M10X40	Bolt M10X40	2	ZC
13	910100100125	螺栓 M10X100	Bolt M10X100	12	ZC
14	910100300034	螺栓 M10X16	Bolt M10X16	2	ZC
15	255098524059	挡块HDCS25-03001	Link stopper HDCS25-03001	1	ZC
16	255098524060	箱盖HDCSB30-01002	Case cover HDCSB30-01002	1	ZC
17	255098524042	深沟球轴承6306	Bearing 6306	1	ZC
18	255098524010	O型圈 25X2.65	O-ring 25X2.65	2	ZC
19	255098524061	轴HDCSB30-03003	Axis HDCSB30-03003	1	ZC
20	910700200023	深沟球轴承 6208	Bearing 6208	1	ZC
21	255098524062	密封盖HDCSB30-02002	Seal cover HDCSB30-02002	2	ZC
22	255098524063	输入轴HDCSB30-02001-1	Input axis HDCSB30-02001-1	1	ZC
23	910700200024	深沟球轴承 6209	Bearing 6209	1	ZC
24	910600100029	圆柱销10X24	Pin 10X24	2	ZC
25	255098524044	孔用弹性挡圈 85	Cip 85	1	ZC
26	255098524064	油封TG4 45X85X10 HDCSB30-01003	Oil seal TG4 45X85X10 HDCSB30-01	1	ZC

255098501005 变速箱 (HY) / GEARBOX (HY)



序号/NO	编码/SN	名称	Name	数量/QTY	备注/Remark
1	910100300036	螺栓M10×25	Bolt M10×25	4	HY
2	910400500007	弹簧垫圈10	Spring washer10	20	HY
3	252198521401	轴承盖HDCS25-09	Bearing cap HDCS25-09	1	HY
4	910800100032	O型圈75×3.1	O-ring 75×3.1	1	HY
5	252198521402	齿轴调整垫HDCS25-10	Tooth shaft adjustment pad HDCS25-	AR	HY
6	252198521403	壳体HDCS30-07	Shell HDCS30-07	1	HY
7	252198521404	轴承座HDCS30-08	Bearing pedestal HDCS30-08	4	HY
8	252198521405	锁片HDCS25-13	Lock plate HDCS25-13		HY
9	252198521406	螺栓HDCS30-12	Bolt HDCS30-12		HY
10	255098524023	圆锥滚子轴承32207	Bearing 32207	2	HY
11	910700200021	深沟球轴承6206	Bearing 6206	2	HY
12	252198521407	齿轮2HDCS30-03	Gear2 HDCS30-03	1	HY
13	252198521408	齿轮3HDCS30-04	Gear3 HDCS30-04	1	HY
14	910100300039	螺栓M10X40	Bolt M10X40	2	HY
15	910100100125	螺栓M10X100	Bolt M10X100	12	HY
16	910100300034	螺栓M10X16	Bolt M10X16	2	HY
17	252198521409	定位板HDCS25-06	Location-plate HDCS25-06	1	HY
18	252198521410	箱盖HDCS30-02	Case cover HDCS30-02	1	HY
19	255098524042	深沟球轴承6306	Bearing 6306	1	HY
20	255098524010	O型圈 25X2.65	O-ring 25X2.65	2	HY
21	252198521411	二轴HDCSB30-05	Biaxial HDCSB30-05	1	HY
22	910700200023	深沟球轴承 6208	Bearing 6208	1	HY
23	252198521412	闷盖EC32X5	Cover EC32X5	2	HY
24	252198521413	输入轴HDCSB30-06	Input axis HDCSB30-06	1	HY
25	910700200024	深沟球轴承 6209	Bearing 6209	1	HY
26	910600100029	圆柱销10*24	Pin 10*24	2	HY
27	255098524044	孔用弹性挡圈 85	Cip 85	1	HY
28	252198521414	油封TC45X85X10	Oil seal TC45X85X10	1	HY

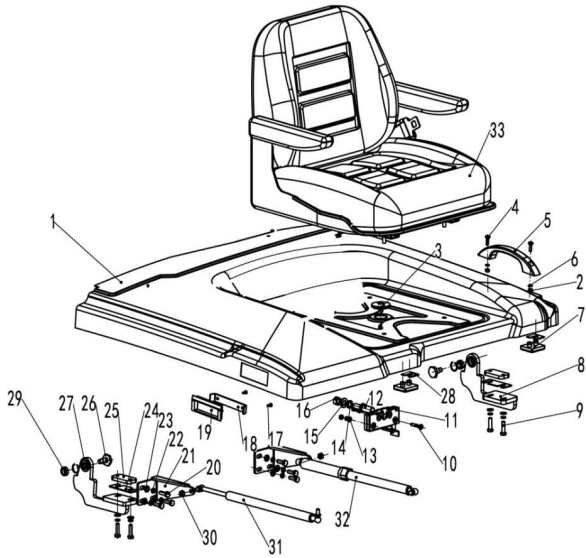
255098501010 转向桥及安装/STEERING BRIDGE AND INSTALLATION



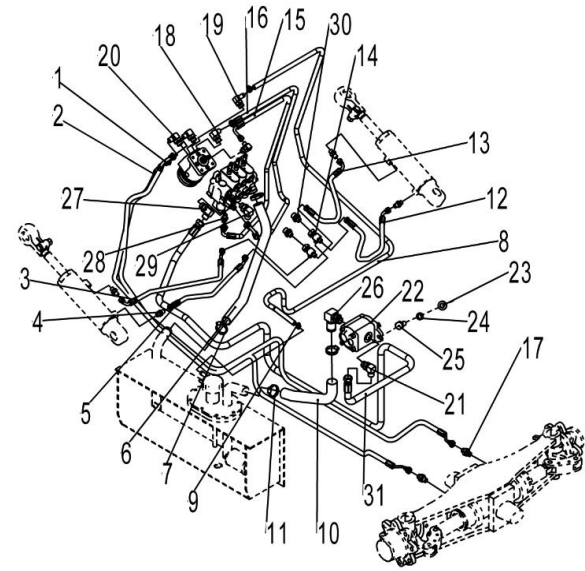
序号/NO	编码/SN	名称	Name	数量/QTY	备注/Remark
A	254116010001	1.5T转向桥	1.5T steering axle	1	
1	254198526001	转向桥体总成	Steering bridge assembly	1	
2	254198526002	连杆	Linking rod	2	
3	254198516003	转向油缸总成	Steering cylinder assembly	1	
4	254198526004	右转向节总成	Right knuckle	1	
5	254198526005	单向推力轴承198905	Bearing198905	2	
6	254198526006	滚针轴承943/25	Bearing 943/25	2	
7	254198526007	转向节主销	Pin	2	
8	254198526009	骨架油封	framework seal ring	2	
9	254198526011	轴承30208	Bearing 30208	2	
10	254198526012	轴承30206	Bearing 30206	2	
11	254198526013	螺母M24x2	Nut M24x2	2	
12	910400100014	垫圈24	Washer GB97.1-24-200HV	2	
13	910600600038	销5x50	Pin 5x50	2	
14	254198526015	轮毂盖	Wheel hub cover	2	
15	254198526016	转向轮毂	Steering wheel hub	2	
16	255098526017	内六角锥端紧定螺钉M12X30	Strict bolt	2	
17	910300100008	螺母M12	Nut GB6170-M12-10	2	
18	254198526040	轮毂螺栓	Rim Bolt	12	
19	254198526041	轮毂螺母	Rim Nut(M14X1.5)	12	
20	254198526010	转向节调整垫	Pad	4	
21	253098526025	弯颈式油嘴Q701B45	Grease nipple (90°)	2	
22	254198516023	铁壳油封	Oil seal	4	
23	254198526022	O型圈	O ring	2	
24	910100300039	螺栓M10x40	Bolt M10X40	2	
25	910300100007	螺母M10	Nut GB6170-M10-10	12	
26	253098526019	直通油嘴Q700B06	Grease nipple	4	
27	254198526020	左转向节	Left knuckle	1	
28	254198526026	连杆销	Linking pin	4	
29	254198526027	关节轴承GE15ES	Joint bearing GE15ES	4	
30	254198526018	衬套	Bushing	4	

255098501012 座椅盖板安装/SEAT COVER MOUNTING

序号/NO	编码/SN	名称	Name	数量/QTY	备注/Remark
1	252121011002	箱盖焊接(20Q锂电)	Welding of box cover (20Q lithium batt	1	
	252121012002	箱盖焊接(20Q铅酸)	Case cover welding (20Q lead acid)	1	
2	910300100005	螺母GB6170-M6-10	Nut GB6170-M6-10	6	
3	255021020046	护线圈	To protect the coil	1	
4	910200500053	螺钉 GB818-M6x20-4.8	Screw GB818 M6x20-4.8	1	
5	255021020020	拉手	Shake handhandle	1	
6	910400500005	弹垫 GB93-6	Spring washers GB93-6	4	
7	255021020068	减振垫	Damping pad	2	
8	255021010005	铰链支架(左)	Hinge bracket (left)	1	
9	910100300024	螺栓 GB5783-M8x30-8.8	Bolt GB5783 M8x30-8.8	4	
10	910200200041	螺钉 GB70.1-M6x40-4.8	Screw GB70.1 M6x40-4.8	3	
11	255021010010	顶盖锁	The lid lock	1	
12	255021020052	锁舌	The lock tongue	1	
13	910400100005	平垫 GB97.1-6-200HV	Washer GB97.1-6-200HV	2	
14	910400500008	弹垫 GB93-12	Spring washer GB93-12	1	
15	910400100008	平垫GB97.1-12-200HV	Washer GB97.1-12-200HV	1	
16	910300100008	螺母 GB6170-M12-10	Nut GB6170 - M12-10	1	
17	910200500021	螺钉 GB818-M4x10-4.8	Screw GB818 M4x10-4.8	2	
18	255021020055	固定板	Fixed plate	1	
19	255021020021	内拉手	The shake handhandle	1	
20	910100300023	螺栓 GB5783-M8x25-8.8	Bolt GB5783 M8x25-8.8	6	
21	255021020047	气弹簧支架	Air spring support	2	
22	910400500006	弹垫 GB93-8	Spring washer GB93-8	10	
23	910400100006	平垫 GB97.1-8-200HV	Washer GB97.1-8-200 hv	10	
24	255021020054	调整垫	Adjust the pad	2	
25	255021020045	丝座板	Wire plate	2	
26	255021020043	铰制孔螺栓M10x28	Reaming hole bolt M10x28	2	
27	255021010006	铰链支架(右)	Hinge bracket (right)	2	
28	255021020071	调整垫片	Adjust the gasket	2	
29	910700900001	轴承GB9163-GE12E	Bearing GB9163-GE12E	2	
30	910300100006	螺母 GB6170-M8-10	Nut GB6170 M8-10	2	



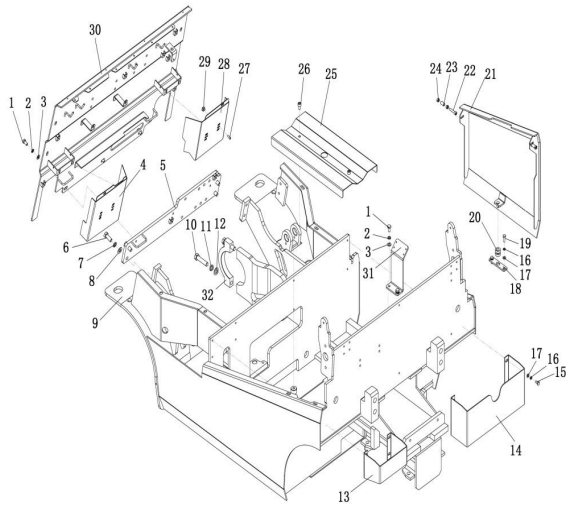
255098501016 液压系统/HYDRAULIC



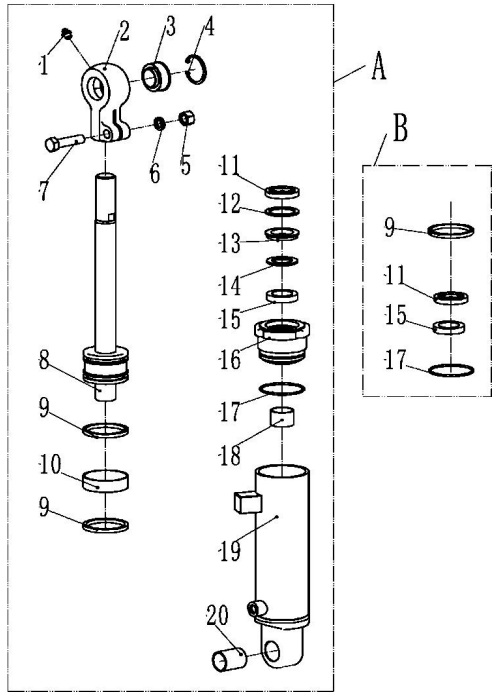
序号/NO	编码/SN	名称	Name	数量/QTY	备注/Remark
1	252123520001	液压管总成(异)8-L2400-1SC-60°	Hydraulic pipe assembly (other)8-L2400-1SC-60°	1	
2	252123520009	液压管总成(异)8-L2600-1SC-60°	Hydraulic pipe assembly (other)8-L2600-1SC-60°	1	
3	252123520002	液压管总成(135°)6-L600-1SC-60°	Hydraulic tube assembly (135°)6-L600-1SC-60°	1	
4	255023520007	接头(直)6-G1/4-M14x1.5-60°	Joint (straight) 6-g1/4 - m14x1.5-60°	4	
5	252123520003	液压管总成(135°)6-L750-1SC-60°	Hydraulic tube assembly(135°)6-L750-1SC-60°	1	
6	252123520010	胶管(回油)	Rubber hose (oil return)	1	
7	911000600004	喉箍QC/T390-(34-38)	Hose hoops QC/T390-(38-34)	4	
8	900200401001	回油胶管23x5	Oil return hose 23x5	2560	
9	911000600003	喉箍QC/T390-(22-26)	Hose hoops QC/T390-(22-26)	2	
10	252123520004	胶管(吸油)	Rubber hose (oil absorption)	1	
11	911000600006	喉箍QC/T390-(40-45)	Hose hoops QC/T390-(40-45)	2	
12	252123520005	液压管总成(90°)6-L450-1SC-60°	Hydraulic tubing assembly(90°)6-L450-1SC-60°	1	
13	252123520006	液压管总成(135°)6-L500-1SC-60°	Hydraulic tube assembly(135°)6-L500-1SC-60°	1	
14	255023510012	接头(三通)7-2xM14x1.5-M16x1.5-60°	Joint (tee) 7-2xm14x1.5-m16x1.5-60°	2	
15	252123520011	液压管总成(90°)6-L1320-1SC-60°	Hydraulic tubing assembly (90°)6-L1320-1SC-60°	1	
16	251123521005	液压管总成(90°)8-L1320-1SC-60°	Hydraulic tube assembly(90°)8-L1320-1SC-60°	1	
17	255023520034	接头(直)8-2xM16x1.5-60°	Joint(straight) 8-2xm16x1.5-60°	2	
18	255023510003	接头(锁定弯)6-G1/4-M14x1.5-60°	Joint(lock bend) 6-G1/4-M14x1.5-60°	1	
19	255023510008	接头(锁定弯)11-M20x1.5-0	Joint(lock bend)11-M20x1.5-0	1	
20	255023510007	接头(锁定弯)10-M20x1.5-M16x1.5-60°	Joint(lock bend)10-M20x1.5-M16x1.5-60°	3	
21	255023520035	接头(锁定弯)12-G1/2-M22x1.5-60°	Joint(lock bend)12-G1/2-M22x1.5-60°	1	
22	251323512006	齿轮泵	Gear pump	1	
23	910400100007	平垫圈GB97.1-10-200HV	Washer GB97.1-10-200HV	2	
24	910400500007	弹簧垫圈GB93-10	Spring washer GB93-10	2	
25	910100300037	螺栓GB5783-M10x30-8.8	Bolt GB5783 M10x30-8.8	1	
26	255023510005	接头(转向弯)25-G1-Φ32	Joint(to bend)25-G1-Φ32	1	
27	255023520030	接头(直)12-2xM22x1.5-60°	Joint(straight)12-2xM22x1.5-60°	1	
28	255023510001	接头(锁定弯)6-M12x1.5-M14x1.5-60°	Joint(lock bend)6-m12x1.5-M14x1.5-60°	1	
29	255044020143	接头(锁定弯)12-M20x1.5-M22x1.5-60°	Joint(lock bend) 12-M20x1.5-M22x1.5-60°	1	
30	255023520033	接头(直)8-M20x1.5-M16x1.5-60°	Joint(straight)8-M20x1.5-M16x1.5-60°	1	
31	255023520004	液压管总成(90°)13-L2750-2SC-60°	Hydraulic tubing assembly(90°)13-L2750-2SC-60°	1	

255098501021 车架装配/FRAME ASSEMBLY

序号/NO	编码/SN	名称	Name	数量/QTY	备注/Remark
1	910100300035	螺栓GB5783-M10x20-8.8	Bolt GB5783 M10x20-8.8	5	
2	910400500007	弹簧垫圈GB93-10	Spring washer GB93-10	5	
3	910400100007	平垫圈GB97.1-10-200HV	Washer GB97.1-10-200HV	5	
4	252121511004	盖板焊合(左)	Welding of cover plate(left)	1	
5	252121511010	前连板焊合	Butt welding	1	
6	910100300063	螺栓GB5783-M14x35-8.8	Bolt GB5783 M14x35-8.8	4	
7	910400500009	弹簧垫圈GB93-14	Spring washer GB93-14	4	
8	910400100009	平垫圈GB97.1-14-200HV	The flat washer GB97.1-14-200HV	4	
9	252121511001	车架焊合	Frame welded	1	
10	910100200016	螺栓GB5785-M16x1.5x70-8.8	Bolt GB5785-M16x1.5x70-8.8	4	
11	910400500010	弹簧垫圈GB93-16	Spring washer GB93-16	4	
12	910400100010	平垫圈GB97.1-16-200HV	The flat washer GB97.1-16-200HV	4	
13	252121521205	电瓶挡板左	Battery baffle left	1	
14	252121511012	电瓶挡板焊合右	The battery baffle is welded to the right	1	
15	910100300020	螺栓GB5783-M8x16-8.8	Bolt GB5783 M8x16-8.8	8	
16	910400500006	弹簧垫圈GB93-8	Spring washer GB93-8	10	
17	910400100006	平垫圈GB97.1-8-200HV	The flat washer GB97.1-8-200HV	10	
18	252121521096	挡板	baffle	1	
19	910100300023	螺栓GB5783-M8x25-8.8	Bolt GB5783 M8x25-8.8	2	
20	213019020009	垫I	Mat I	1	
21	252121511005	外侧板焊合(电池)	Soldered outer plate(battery)	1	
22	910200200059	螺钉GB70.1-M8x30-8.8	Screw GB70.1 M8x30-8.8	2	
23	255012020012	聚氨酯管	Pu tube	2	
24	910300100006	螺母GB6170-M8-10	Nut GB6170 M8-10	4	
25	252121521101	盖板(线路)	Cover plate (circuit)	1	
26	910200200074	螺钉GB70.1-M10x16-8.8	Screw GB70.1 M10x16-8.8	2	
27	910200300018	螺钉GB70.2-M6x16-8.8	Screw GB70.2 M6x16-8.8	4	
28	252121511006	盖板焊合(右)	Welding of cover plate (right)	1	
29	940801500001	卡式螺母M6	Clip nut M6	4	
30	252121511009	仪表架焊合	The meter stand is welded together	1	
31	252121521102	安装板(接插件)	Installation board (connector)	1	

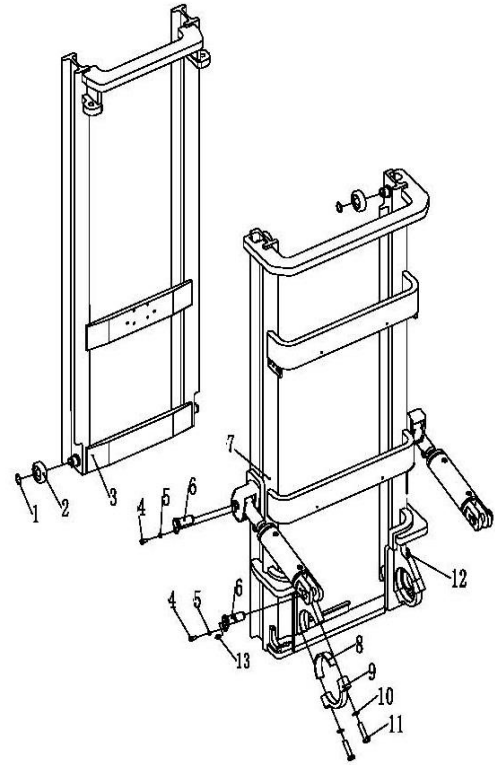


255098501024 倾斜油缸/TILT CYLINDER



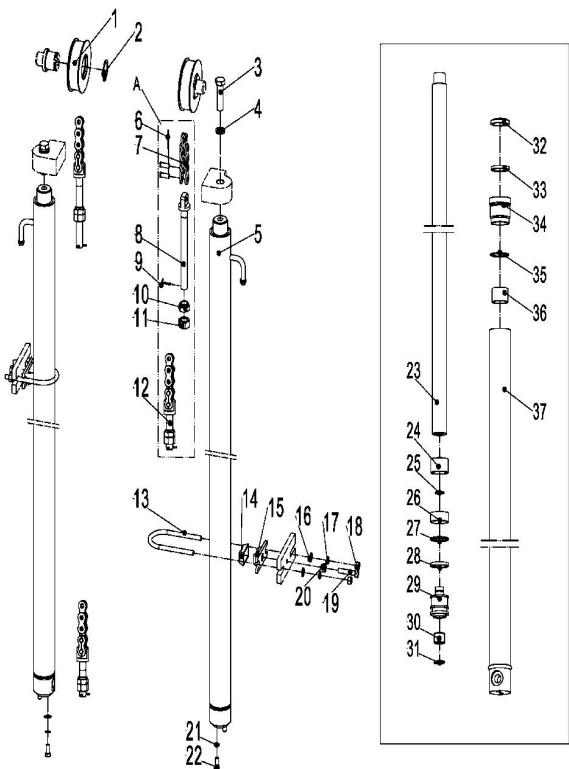
序号/NO	编码/SN	名称	Name	数量/QTY	备注/Remark
A	252120510001	油缸 (TL) (TL) $\Phi 70 \times \Phi 32 \times 110$ (6/10)	Oil cylinder(TL) $\Phi 70 \times \Phi 32 \times 110$ (6/10)	1	H<4000, Left
	252120510002	油缸 (TL) $\Phi 70 \times \Phi 32 \times 69$ (6/6)	Oil cylinder(TL) $\Phi 70 \times \Phi 32 \times 69$ (6/6)	1	4000 \leq H \leq
	252120510003	油缸 (TL) $\Phi 70 \times \Phi 32 \times 52$ (3/6)	Oil cylinder(TL) $\Phi 70 \times \Phi 32 \times 52$ (3/6)	1	H>5000Left
	252120510005	油缸 (TR) $\Phi 70 \times \Phi 32 \times 110$ (6/10)	Oil cylinder(TR) $\Phi 70 \times \Phi 32 \times 110$ (6/10)	1	H<4000, Right
	252120510006	油缸 (TR) $\Phi 70 \times \Phi 32 \times 69$ (6/6)	Oil cylinder(TR) $\Phi 70 \times \Phi 32 \times 69$ (6/6)	1	4000 \leq H \leq
	252120510007	油缸 (TR) $\Phi 70 \times \Phi 32 \times 52$ (3/6)	Oil cylinder(TR) $\Phi 70 \times \Phi 32 \times 52$ (3/6)	1	H>5000, Right
B	252198510006	密封件修理包 (倾斜缸)	Seal kits (tilted cylinder)	2	
1	▲	直通式滑脂嘴Z1/8	Grease mouth Z1/8	2	
2	▲	耳环	Earring	2	
3	▲	关节轴承GE30ES	Bearing GE30ES	2	
4	▲	挡圈47	Circlip 47	2	
5	▲	螺母M14	Nut M14	2	
6	▲	垫圈14	Washer14	2	
7	▲	螺栓M14x55	Bolt M14x55	2	
8	▲	活塞体总成	Piston body assembly	2	
9	▲	Yx型密封圈	Yx seal ring	2	
10	▲	支承环D63x20x2.5	Support ring	2	
11	▲	防尘圈	Dust ring	2	
12	▲	挡圈52	Circlip 52	2	
13	▲	挡圈	Circlip	2	
14	▲	挡片48x30x3	Catch 48x30x3	2	
15	▲	U型密封圈	Useal ring 48x30x10	2	
16	▲	导向套	Guide sleeve	2	
17	▲	O型密封圈	O seal ring 63x3.1	2	
18	▲	钢背轴承3025	Bearing 3025	2	
19	▲	缸筒总成	Cylinder barrel assembly	2	
20	▲	钢背轴承3040	Bearing 3040	2	

255098501025 门架(标准门架)/MAST(stand mast)



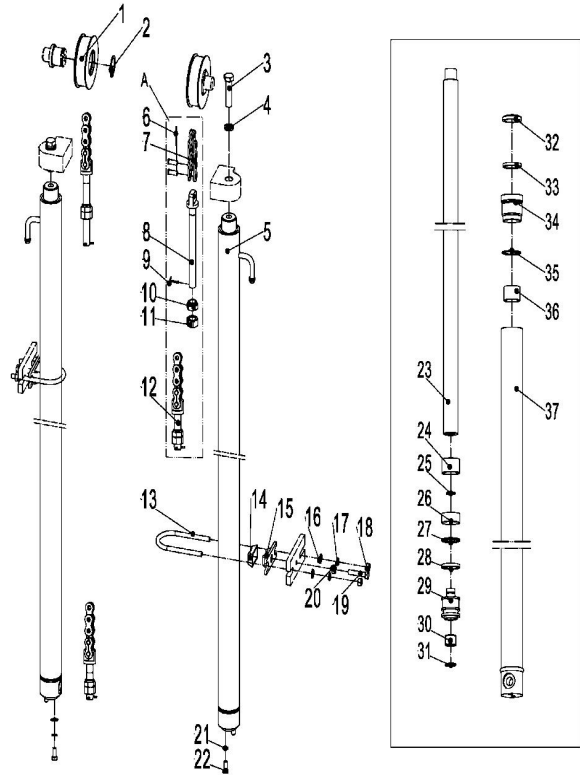
序号/NO	编码/SN	名称	Name	数量/QTY	备注/Remark
1	910401300018	轴用弹性挡圈GB894.1-35	Shaft with elastic baffle GB894.1-35	4	
2	940200300049	复合滚轮Φ78.80-range=52.5-56.5(外)	Composite roller	4	
3	252144012001	内门架焊合(2500)	Inner mast(2500)	1	H=2500
	252144012002	内门架焊合(2700)	Inner mast(2700)	1	H=2700
	252144012003	内门架焊合(3000)	Inner mast(3000)	1	H=3000
	252144012004	内门架焊合(3300)	Inner mast(3300)	1	H=3300
	252144012005	内门架焊合(3500)	Inner mast(3500)	1	H=3500
	252144012006	内门架焊合(3700)	Inner mast(3700)	1	H=3700
	252144012007	内门架焊合(4000)	Inner mast(4000)	1	H=4000
	252144012008	内门架焊合(4300)	Inner mast(4300)	1	H=4300
	252144012009	内门架焊合(4500)	Inner mast(4500)	1	H=4500
252144012010	内门架焊合(5000)	Inner mast(5000)	1	H=5000	
4	910100300035	螺栓GB5783-M10x20-8.8	Bolt GB5783 M10x20-8.8	4	
5	910400500007	弹簧垫圈GB93-10	Spring washer GB93-10	4	
6	255044010057	带耳轴Φ30x82	With trunnion Φ30x82	4	
7	252144011001	外门架焊合(2500)	Outer mast(2500)	1	H=2500
	252144011002	外门架焊合(2700)	Outer mast(2700)	1	H=2700
	252144011003	外门架焊合(3000)	Outer mast(3000)	1	H=3000
	252144011004	外门架焊合(3300)	Outer mast(3300)	1	H=3300
	252144011005	外门架焊合(3500)	Outer mast(3500)	1	H=3500
	252144011006	外门架焊合(3700)	Outer mast(3700)	1	H=3700
	252144011007	外门架焊合(4000)	Outer mast(4000)	1	H=4000
	252144011008	外门架焊合(4300)	Outer mast(4300)	1	H=4300
	252144011009	外门架焊合(4500)	Outer mast(4500)	1	H=4500
	252144011010	外门架焊合(5000)	Outer mast(5000)	1	H=5000
8	254144020063	轴瓦	bush	2	
9	254144020067	轴承盖	Bearing cover	2	
10	910400500010	弹簧垫圈GB93-16	Spring washer GB93-16	4	
11	910100200016	螺栓GB5785-M16x1.5x70-8.8	Bolt GB5785-M16x1.5x70-8.8	4	
12	911200100004	油杯JB7940.1-M10x1	Oil cup JB7940.1-M10x1	2	

255098501027 起升油缸 (标准门架)/LIFTING CYLINDER (stand mast)



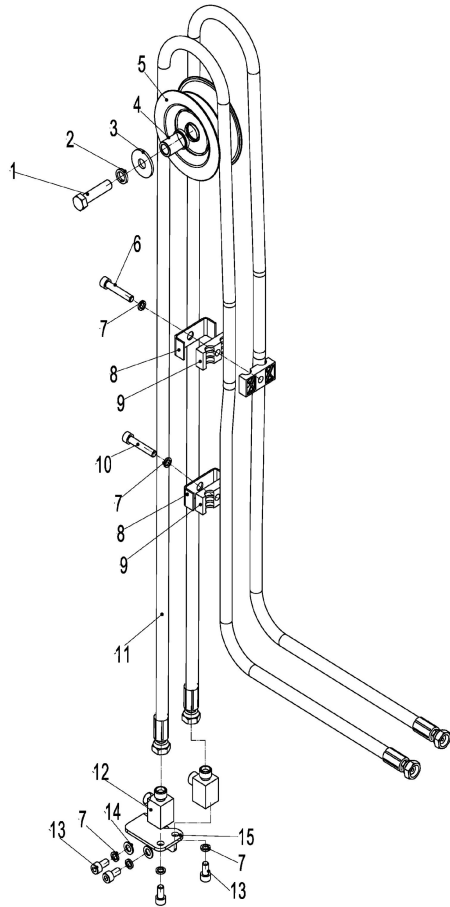
序号/NO	编码/SN	名称	Name	数量/QTY	备注/Remark
A	251244014002	起升链条LH1234-93	Lifting chain LH1234-93	2	H=2500
	252144014011	起升链条LH1234-99	Lifting chain LH1234-99	2	H=2700
	252144014012	起升链条LH1234-107	Lifting chain LH1234-107	2	H=3000
	251244514005	起升链条LH1234-115	Lifting chain LH1234-115	2	H=3300
	251244014006	起升链条LH1234-119	Lifting chain LH1234-119	2	H=3500
	251244514006	起升链条LH1234-125	Lifting chain LH1234-125	2	H=3700
	251244014008	起升链条LH1234-149	Lifting chain LH1234-149	2	H=4000
	252144014017	起升链条LH1234-151	Lifting chain LH1234-151	2	H=4300
	252144014009	起升链条LH1234-161	Lifting chain LH1234-161	2	H=4500
	252144014018	起升链条LH1234-177	Lifting chain LH1234-177	2	H=5000
B	254144010021	油缸 (H=2500)	Cylinder(H=2500)	2	H=2500
	254144010022	油缸 (H=2700)	Cylinder(H=2700)	2	H=2700
	254144010023	油缸 (H=3000)	Cylinder(H=3000)	2	H=3000
	254144010024	油缸 (H=3300)	Cylinder(H=3300)	2	H=3300
	254144010025	油缸 (H=3500)	Cylinder(H=3500)	2	H=3500
	254144010026	油缸 (H=3700)	Cylinder(H=3700)	2	H=3700
	254144010027	油缸 (H=4000)	Cylinder(H=4000)	2	H=4000
	254144010028	油缸 (H=4300)	Cylinder(H=4300)	2	H=4300
	254144010029	油缸 (H=4500)	Cylinder(H=4500)	2	H=4500
	254144010030	油缸 (H=5000)	Cylinder(H=5000)	2	H=5000
C	254198510001	密封件修理包(标准门架起升缸)	Seal kits(standard mast lifting cylinder)	2	
1	940200500015	链轮轴承780708K3-Φ95xΦ40x27	Chain wheel bearing780708K3-Φ95xΦ40x27	2	
2	910401300020	轴用弹性挡圈GB894.1-40	Circlip GB894.1-40	2	
3	910100300051	螺栓GB5783-M12x35-8.8	Bolt GB5783-M12x35-8.8	2	
4	910400500008	弹簧垫圈GB93-12	Washer GB93-12	2	
6	910600600015	开口销GB91-2x20	Split pin 2x20	2	
7	910900400010	板式链GB6074-LH1234	LH1234chain	2	
8	252044020121	链条螺栓M16x1.5x178	Joint	2	
9	910600600030	开口销GB91-3.2x30	Split pin 3.2x30	2	
10	910300200008	螺母GB6171-M16x1.5-10	Nut M16x1.5	2	
11	254144020066	球面螺母M16x1.5	Nut M16x1.5	2	

255098501027 起升油缸 (标准门架)/LIFTING CYLINDER (stand mast)



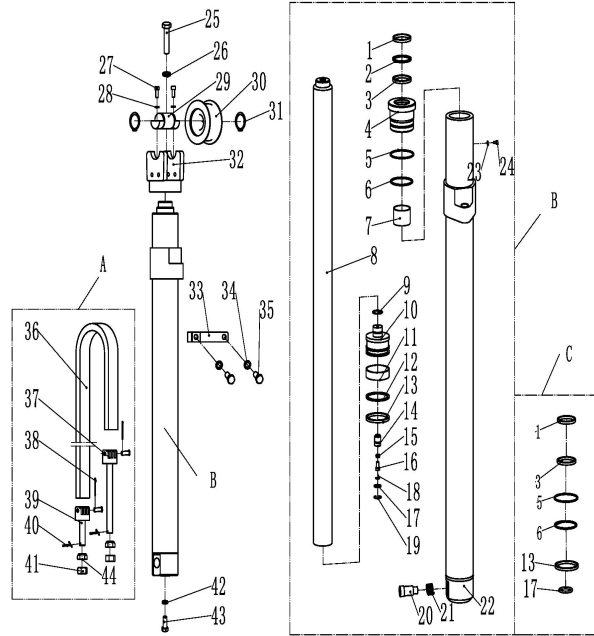
序号/NO	编码/SN	名称	Name	数量/QTY	备注/Remark
12	252044020120	链条螺栓M16x1.5x95	Joint	2	
13	254144020060	U形螺栓Φ57	Fixing ring	2	
14	254144020061	防护罩	shield	2	
15	254144020062	固定座	The fixed seat	2	
16	910400100006	平垫圈GB97.1-8-200HV	Washer GB97.1-8-200 hv	4	
17	910400500006	弹簧垫圈GB93-8	Spring washer GB93-8	4	
18	910300100006	螺母GB6170-M8-10	Nut GB6170 M8-10	4	
19	910100300038	螺栓GB5783-M10x35-8.8	Bolt GB5783 M10x35-8.8	2	
20	910300100007	螺母GB6170-M10-10	Nut GB6170-M10-10	2	
21	910400500007	弹簧垫圈GB93-10	Spring washer GB93-10	6	
22	910100400002	螺栓GB5786-M10x1.25x20-8.8	Bolt GB5786-M10x1.25 x20-8.8	2	
23	▲	活塞杆	The piston rod	1	
24	▲	调整套Φ35.5xΦ44xL1	Adjust the set of phi35. x44 xL1	1	
25	▲	钢丝挡圈	Steel wire ring	1	
26	▲	支承环D45x8 (t=2.5)	Bearing ring D45x8 (t=2.5)	1	
27	▲	挡片35x45x3	35 x45x3 block slice	1	
28	▲	孔用密封圈45x35x6	Hole with sealing ring 45x35x6	1	
29	▲	活塞	The piston	1	
30	▲	铜套	Copper set of	1	
31	▲	钢丝挡圈	Steel wire ring	1	
32	▲	防尘圈35x47x7	35 x47x7 shield	1	
33	▲	轴用密封圈35x45x6	Shaft seal ring 35x45x6	1	
34	▲	导向套	Guide sleeve	1	
35	▲	O型密封圈44.7x2.4	O-ring 44.7x2.4	1	
36	▲	钢背轴承3530	Steel back bearing 3530	1	
37	▲	缸体	Cylinder block	1	

255098501029 单附加管路(标准门架) DOUBLE ADDITIONAL TUBE(stand mast)



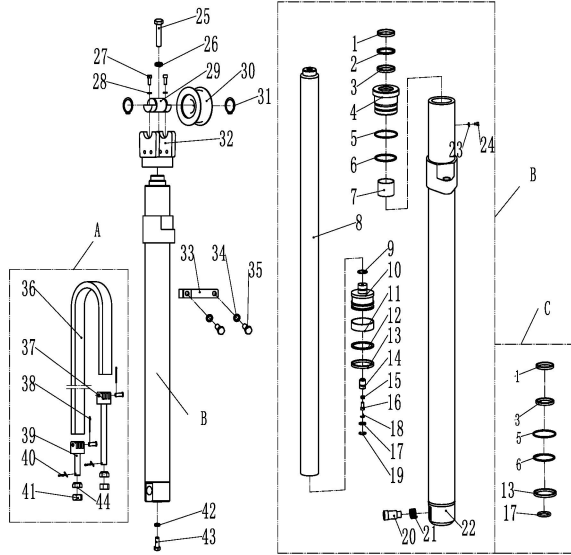
序号/NO	编码/SN	名称	Name	数量/QTY	备注/Remark
1	910100300052	螺栓GB5783-M12x40-8.8	Bolt GB5783 M12x40-8.8	1	
2	910400500008	弹簧垫圈GB93-12	Spring washer gb93-12	1	
3	910400200005	大垫圈GB96.1-12-200HV	Big washer GB96.1-12-200 hv	1	
4	255044520081	衬套(带肩) Φ20x Φ13x28	Bushings (shoulder)Φ20xΦ13x28	1	
5	251127520001	滑轮 Φ110x42(双槽)	Pulley Φ110x42 (dual slot)	1	
6	910200200062	螺钉GB70.1-M8x45-8.8	Screw GB70.1 M8x45-8.8	1	
7	910400500006	弹簧垫圈GB93-8	Spring washer GB93-8	6	
8	255028520035	安装板(管夹)	Installation plate (pipe clamp)	2	
9	255028520034	胶管固定块	Fixed block of hose	3	
10	910200200060	螺钉GB70.1-M8x35-8.8	Screw GB70.1 M8x35-8.8	1	
11	255030520006	液压管总成(直)10-L3370-1SC-60°	Hydraulic pipe assembly (straight)10-L	2	H=2500
	254128520040	液压管总成(直)10-L3500-1SC-60°	Hydraulic pipe assembly (straight)10-L	2	H=2700
	281227511001	液压管总成(直)10-L3800-1SC-60°	Hydraulic pipe assembly (straight)10-L	2	H=3000
	281227511002	液压管总成(直)10-L4200-1SC-60°	Hydraulic pipe assembly (straight)10-L	2	H=3300
	281227511003	液压管总成(直)10-L4300-1SC-60°	Hydraulic pipe assembly (straight)10-L	2	H=3500
	281227511004	液压管总成(直)10-L4500-1SC-60°	Hydraulic pipe assembly (straight)10-L	2	H=3700
	281227511005	液压管总成(直)10-L4900-1SC-60°	Hydraulic tube assembly (straight)10-l	2	H=4000
	281227511006	液压管总成(直)10-L5200-1SC-60°	Hydraulic pipe assembly (straight)10-L	2	H=4300
	281227511007	液压管总成(直)10-L5500-1SC-60°	Hydraulic pipe assembly (straight)10-L	2	H=4500
12	255029020024	接头(锁定弯)8-2xM16x1.5-60°	Connector(lock bend)8-2xM16x1.5-60°	2	
13	910200200055	螺钉GB70.1-M8x16-8.8	Screw GB70.1 M8x16-8.8	4	
14	910400100006	平垫圈GB97.1-8-200HV	Washer GB97.1-8-200HV	2	
15	251127520010	支架(右)	Bracket(right)	1	

255098501033 短起升油缸 (两级全自由门架) /LIFTING PIPE (two stage full free)



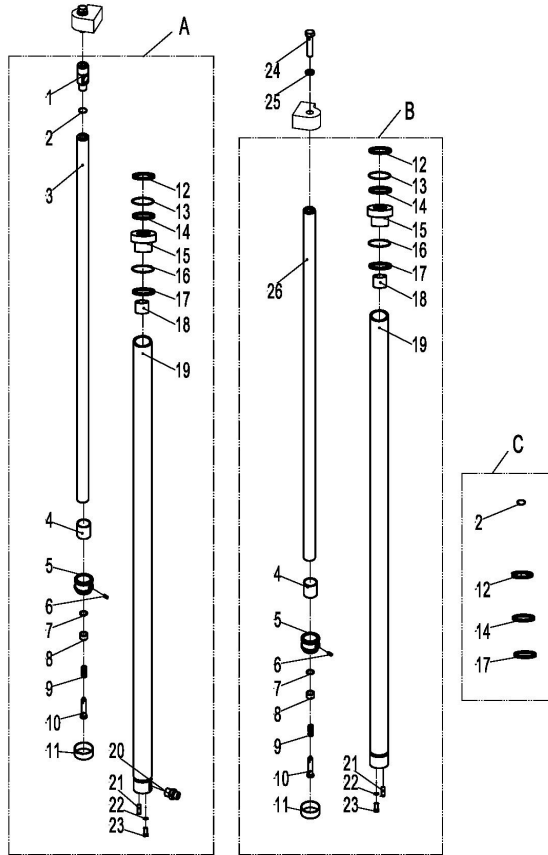
序号/NO	编码/SN	名称	Name	数量/QTY	备注/Remark
A	254143510060	起升链条LH1266-65	Lifting chain LH1266-65	2	H=2500
	254143515001	起升链条LH1266-67	Lifting chain LH1266-67	2	H=2700
	254143510061	起升链条LH1266-71	Lifting chain LH1266-71	2	H=3000
	254144510016	起升链条LH1266-75	Lifting chain LH1266-75	2	H=3300
	254144510017	起升链条LH1266-77	Lifting chain LH1266-77	2	H=3500
	254144540004	起升链条LH1266-81	Lifting chain LH1266-81	2	H=3700
	252143510071	起升链条LH1266-85	Lifting chain LH1266-85	2	H=4000
B	254143510100	油缸 (M) (H=2500)	cylinder (M)(H=2500)	1	H=2500
	254143510101	油缸 (M) (H=2700)	cylinder (M)(H=2700)	1	H=2700
	254143510102	油缸 (M) (H=3000)	cylinder (M)(H=3000)	1	H=3000
	254143510103	油缸 (M) (H=3300)	cylinder (M)(H=3300)	1	H=3300
	254143510104	油缸 (M) (H=3500)	cylinder (M)(H=3500)	1	H=3500
	254143510105	油缸 (M) (H=3700)	cylinder (M)(H=3700)	1	H=3700
C	254198510004	密封件修理包 (二级全自由中缸)	Seal kits (two stage full free middle cy	1	
1	▲	防尘圈	Dust ring	1	
2	▲	挡片50x60x3	Catch 50x60x3	1	
3	▲	轴用密封圈	Seal ring	1	
4	▲	导向套	Guide sleeve	1	
5	▲	O型密封圈D75	O ring D75	1	
6	▲	O型密封圈D70	O ring D70	1	
7	▲	钢背轴承5035	Bearing 5035	1	
8	▲	活塞杆	Piston rod	1	
9	▲	钢丝挡圈	Circlip	1	
10	▲	活塞总成	Piston assembly	1	
11	▲	支承环70x20x3	Back up ring 70x20x3	1	
12	▲	挡圈70x60x3	Circlip 70x60x3	1	
13	▲	密封圈	Seal ring	1	
14	▲	阀套	Valve bushing	1	
15	▲	弹簧	Spring	1	
16	▲	阀芯	Valve plug	1	

255098501033 短起升油缸 (两级全自由门架) /LIFTING PIPE (two stage full free)



序号/NO	编码/SN	名称	Name	数量/QTY	备注/Remark
17	▲	O型密封圈	O ring	1	
18	▲	挡圈 φ12	Circlip φ12	1	
19	▲	挡圈 φ22	Circlip φ22	1	
20	▲	滑阀	Slide valve	1	
21	▲	弹簧	Spring	1	
22	▲	缸体	Cylinder	1	
23	▲	垫片	Spacer	1	
24	▲	螺钉M5x5	Screw M5x5	1	
25	910100300069	螺栓GB5783-M16x35-8.8	Bolt GB5783-M16x35-8.8	1	
26	910400500010	弹簧垫圈GB93-16	Washer GB93-16	1	
27	910200200057	螺钉GB70.1-M8x20-8.8	ScrewGB70.1- M8x20-8.8	2	
28	910400500006	弹簧垫圈GB93-8	Washer GB93-8	4	
29	254143520056	链轮轴	Chain wheel bearing	1	
30	940200500009	链轮轴承785208-00-φ95xφ40xφ47	Chain wheel bearing 785208-00-φ95x	1	
31	910401300020	轴用弹性挡圈GB894.1-40	Circlip GB894.1-40	2	
32	254143510050	链轮座焊合	Chain wheel weld	1	
33	254143520072	抱箍	Embrace hoop	1	
34	910400100006	平垫圈GB97.1-8-200HV	Washer GB97.1-8-200HV	2	
35	910100300022	螺栓GB5783-M8x20-8.8	Bolt GB5783-M8x20-8.8	2	
36	910900400013	LH1266板式链	LH1266 chain	1	H=2500
37	254143520070	链条螺栓M18x1.5x185.5	Joint	1	H=2700
38	910600600032	开口销GB91-3.2x40	Split pin GB91-3.2x40	1	H=3000
39	254143520071	链条螺栓M18x1.5x90.5	Joint	1	H=3300
40	910600600011	开口销GB91-2x12	Split pin-2x12	2	H=3500
41	255044020158	球面螺母M18x1.5	Nut M18x1.5	2	H=3700
42	910400500008	弹簧垫圈GB93-12	Washer GB93-12	1	H=4000
43	910100400009	螺栓GB5786-M12x1.25x25-8.8	Bolt GB5786-M12x1.25x25-8.8	1	

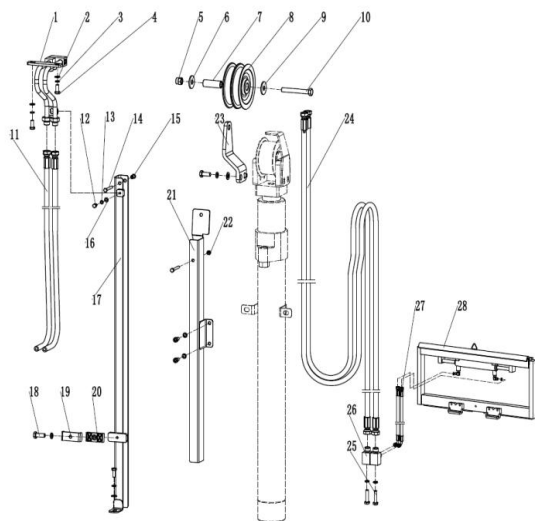
255098501034 起升油缸 (两级全自由门架) /LIFTING PIPE (two stage full free)



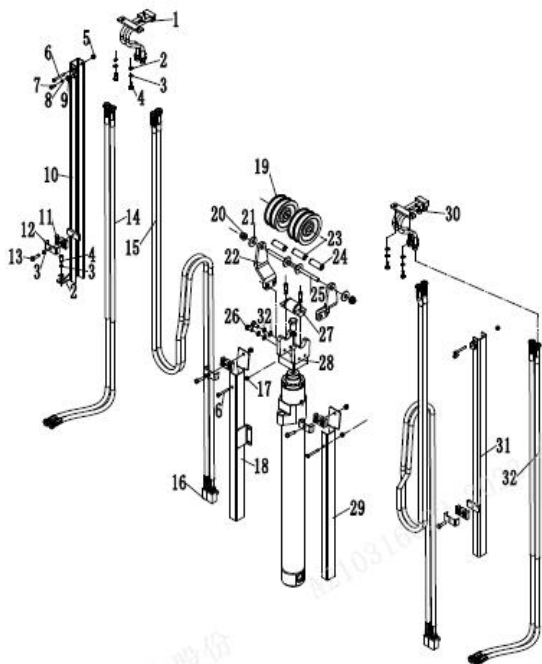
序号/NO	编码/SN	名称	Name	数量/QTY	备注/Remark	
A	254143510120	油缸 (R) (H=2500)	cylinder(R)Φ45xΦ32x1225	1	H=2500	
	254143510121	油缸 (R) (H=2700)	cylinder(R)Φ45xΦ32x1325	1	H=2700	
	254143510130	油缸 (R) (H=2900)	cylinder(R)Φ45xΦ32x1425	1	H=2900	
	254143510122	油缸 (R) (H=3000)	cylinder(R)Φ45xΦ32x1475	1	H=3000	
	254143510123	油缸 (R) (H=3300)	cylinder(R)Φ45xΦ32x1625	1	H=3300	
	254143510125	油缸 (R) (H=3500)	cylinder(R)Φ45xΦ32x1825	1	H=3500	
B	254143510126	油缸 (R) (H=4000)	cylinder(R)Φ45xΦ32x1975	1	H=4000	
	254143510110	油缸 (L) (H=2500)	cylinder(L)Φ45xΦ32x1225	1	H=2500	
	254143510111	油缸 (L) (H=2700)	cylinder(L)Φ45xΦ32x1325	1	H=2700	
	254143510132	油缸 (L) (H=2900)	cylinder(L)Φ45xΦ32x1425	1	H=2900	
	254143510112	油缸 (L) (H=3000)	cylinder(L)Φ45xΦ32x1475	1	H=3000	
	254143510113	油缸 (L) (H=3300)	cylinder(L)Φ45xΦ32x1625	1	H=3300	
B	254143510115	油缸 (L) (H=3500)	cylinder(L)Φ45xΦ32x1825	1	H=3500	
	254143510116	油缸 (L) (H=4000)	cylinder(L)Φ45xΦ32x1975	1	H=4000	
	C	254198510002	密封件修理包 (二级全自由起升缸)	Seal kits (two stage full free lifting cylir	2	
	1	▲	左连接杆	Connecting rod	1	
2	▲	O型密封圈	O ring 26x2.4	1		
3	▲	左柱塞杆总成	Piston rod assembly	1		
4	▲	调整套	Adjusting bushing	2		
5	▲	缓冲活塞	Piston	2		
6	▲	内六角凹端紧固螺钉M4x6	ScrewM4x6	2		
7	▲	钢丝挡圈Φ18	Circlip Φ18	2		
8	▲	铜套	Copper bushing	2		
9	▲	弹簧	Spring	2		
10	▲	缓冲柱塞	Buffer plunger	2		
11	▲	支承环45x15x2.5	Supporting ring45x15x2.5	2		
12	▲	LBH防尘圈	LBH Dust ring 32x40x5/6.5	2		
13	▲	挡片32x42x3	Catch 32x42x3	2		
14	▲	轴用密封圈	Seal ring 40x50x6	2		
15	▲	导向套	Guide bushing	2		
16	▲	挡片45x50x1.5	Catch 45x50x1.5	2		

255098501036 侧移器及管路安装 (二级全自由) / Side shifter and pipeline installation (two stage full free)

序号/NO	编码/SN	名称	Name	数量/QTY	备注/Remark
1	254128510001	过度钢管焊合	Transition steel pipe	1	
2	910400100006	平垫圈GB97.1-8-200HV	Washer GB97.1-8-200HV	2	
3	910400500006	弹簧垫圈GB93-8	Spring washer GB93-8	2	
4	941100400001	螺钉M8x20-8.8	Screw M8x20-8.8	2	
5	910300500006	螺母GB889.1-M12-10	Nut GB889.1-M12-10	1	
6	910400100008	平垫圈GB97.1-12-200HV	washer GB97.1-12-200HV	1	
7	255030520022	衬套	Bushing	1	
8	255030520021	滑轮 $\phi 110 \times 27$ (单槽)	Pulley $\phi 110 \times 27$	1	
9	910400200005	大垫圈GB96.1-12-200HV	Washer GB96.1-12-200HV	1	
10	910100100058	螺栓GB5782-M12x100-8.8	BoltGB5782-M12x100-8.8	1	
11	255030520024	液压管总成(直)10-L1720-1SC-60°	Hydraulic hose assembly 10-L1720-1S	2	H=2500
	255023520036	液压管总成(直)10-L1800-1SC-60°	Hydraulic hose assembly 10-L1800-1S	2	H=2700
	255028520048	液压管总成(直)10-L1950-1SC-60°	Hydraulic hose assembly 10-L1950-1S	2	H=3000
	254130520007	液压管总成(直)10-L2140-1SC-60°	Hydraulic hose assembly 10-L2140-1S	2	H=3300
	252030520016	液压管总成(直)10-L2220-1SC-60°	Hydraulic hose assembly 10-L2220-1S	2	H=3500
	255031020009	液压管总成(直)10-L2340-1SC-60°	Hydraulic hose assembly 10-L2340-1S	2	H=3700
12	255031020100	液压管总成(直)10-L2530-1SC-60°	Hydraulic hose assembly 10-L2530-1S	2	H=4000
13	941100100009	螺母M6x12-8.8	Nut M6x12-8.8	1	
14	910400500005	弹簧垫圈GB93-6	Spring washer GB93-6	1	
15	910100300016	螺栓GB5783-M6x50-8.8	BoltGB5783-M6x50-8.8	2	
16	910301300002	螺母GB17880.1-M6x16.5	Nut GB17880.1-M6x16.5	1	
17	910400100005	平垫圈GB97.1-6-200HV	Washer GB97.1-6-200HV	1	
17	252128510701	外导槽焊合L=875	Groove welding L=875	1	H=2500
	252128510702	外导槽焊合L=975	Groove welding L=975	1	H=2700
	252128510703	外导槽焊合L=1125	Groove welding L=1125	1	H=3000
	252128510704	外导槽焊合L=1275	Groove welding L=1275	1	H=3300
	252128510705	外导槽焊合L=1375	Groove welding L=1375	1	H=3500
	252128510706	外导槽焊合L=1475	Groove welding L=1475	1	H=3700
	252128510707	外导槽焊合L=1675	Groove welding L=1675	1	H=4000
18	910200200059	螺钉GB70.1-M8x30-8.8	Screw GB70.1-M8x30-8.8	1	
19	255028520035	管夹安装板	Pipe clamp munting plate	2	

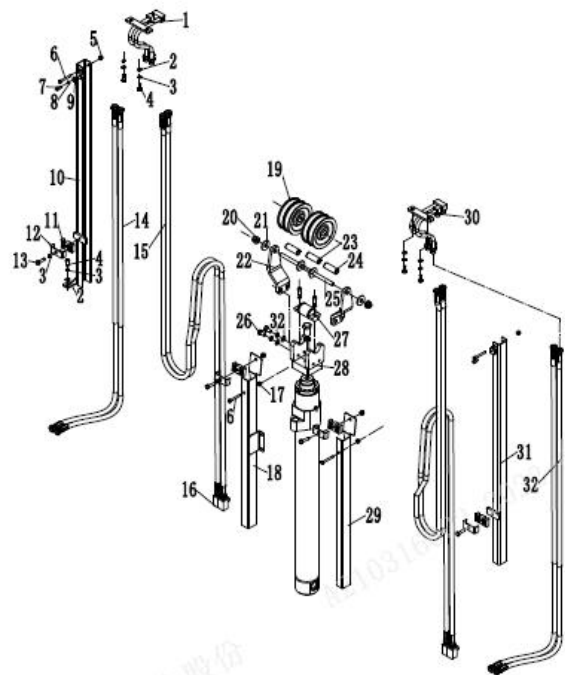


255098501037 双附加管路 (二级全自由) / (two stage full free)



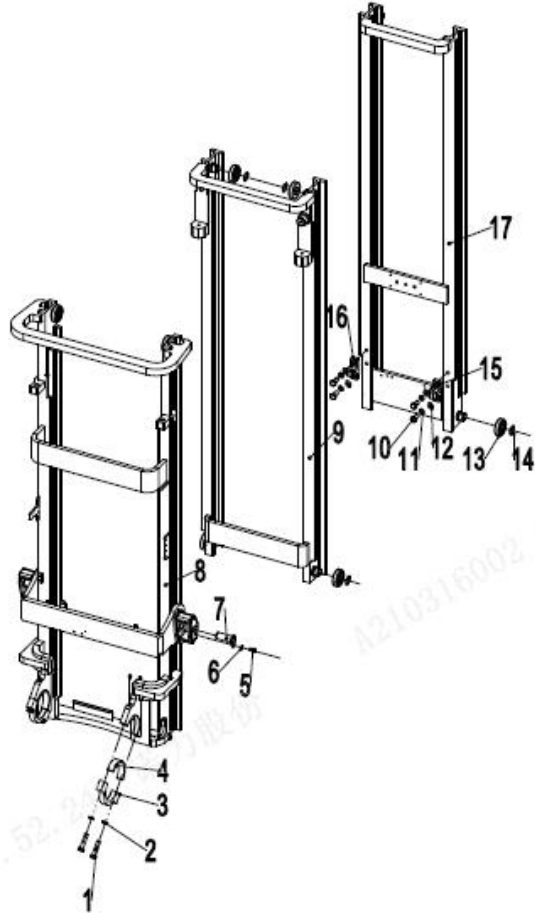
序号/NO	编码/SN	名称	Name	数量/QTY	备注/Remark
1	254129010001	过度钢管焊合	Excessive pipe welding	1	
2	910400100006	平垫圈GB97.1-8-200HV	Washer GB97.1-8-200HV	7	
3	910400500006	弹簧垫圈GB93-8	Washer GB93-8	13	
4	941100400001	螺钉M8x20-8.8	Screw M8x20-8.8	7	
5	910301300002	螺母GB17880.1-M6x16.5	Nut GB17880.1-M6x16.5	2	
6	910100300016	螺栓GB5783-M6x50-8.8	Blot GB5783-M6x50-8.8	4	
7	941100100009	螺钉M6x12-8.8	Screw M6X12-8.8	2	
8	910400100005	平垫圈GB97.1-6-200HV	Washer GB97.1-6-200HV	2	
9	910400500005	弹簧垫圈GB93-6	Washer GB93-6	2	
10	252129010701	外导槽焊合L=875	Groove welding L=875	2	H=2500
	252129010702	外导槽焊合L=975	Groove welding L=975	2	H=2700
	252129010703	外导槽焊合L=1125	Groove welding L=1125	2	H=3000
	252129010704	外导槽焊合L=1275	Groove welding L=1275	2	H=3300
	252129010705	外导槽焊合L=1375	Groove welding L=1375	2	H=3500
	252129010706	外导槽焊合L=1475	Groove welding L=1475	2	H=3700
	252129010707	外导槽焊合L=1675	Groove welding L=1675	2	H=4000
11	255028520034	胶管固定块	Pipe press fixedly piank	4	
12	255028520035	安装板(管夹)	Rubber pipe lump	4	
13	910200200059	螺钉GB70.1-M8x30-8.8	Screw GB70.1-M8x30-8.8	4	
14	255028520048	液压管总成(直)10-L1950-1SC-60°	Hydraulic hose assembly10-L1950-1S	2	H=2500
	255030520001	液压管总成(直)10-L2060-1SC-60°	Hydraulic hose assembly10-L2060-1S	2	H=2700
	252030520016	液压管总成(直)10-L2220-1SC-60°	Hydraulic hose assembly10-L2200-1S	2	H=3000
	255029020019	液压管总成(直)10-L2360-1SC-60°	Hydraulic hose assembly10-L2360-1S	2	H=3300
	251230520716	液压管总成(直)10-L2470-1SC-24°	Hydraulic hose assembly10-L2470-1S	2	H=3500
	255028520019	液压管总成(直)10-L2570-1SC-60°	Hydraulic hose assembly10-L2570-1S	2	H=3700
	254131020006	液压管总成(直)10-L2750-1SC-60°	Hydraulic hose assembly10-L2750-1S	2	H=4000
15	255030520003	液压管总成(直)10-L2410-1SC-60°	Hydraulic hose assembly 10-L2410-1S	4	H=2500/2700
	252128525001	液压管总成(直)10-L2715-1SC-60°	Hydraulic hose assembly 10-L2715-1S	4	H=3000/3300
	252130520701	液压管总成(直)10-L2915-1SC-60°	Hydraulic hose assembly 10-L2915-1S	4	H=3500/3700
	256530520702	液压管总成(直)10-L3220-1SC-60°	Hydraulic hose assembly 10-L3220-1S	4	H=4000
16	255029020024	接头(锁定弯)8-2xM16x1.5-60°	Joint 8-2xM16x1.5-60°	4	

255098501037 双附加管路 (二级全自由) / (two stage full free)



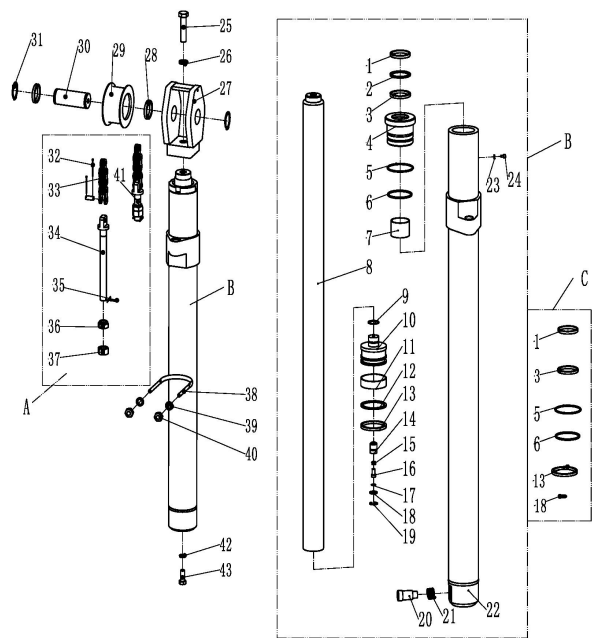
序号/NO	编码/SN	名称	Name	数量/QTY	备注/Remark
17	910300500003	螺母GB889.1-M6-10	Nut GB889.1-M6-10	2	H=2500
18	254129010012	内导槽焊合L=515	Groove welding (inner)L=515	1	H=2500
	254129010013	内导槽焊合L=565	Groove welding (inner)L=565	1	H=2700
	254129010014	内导槽焊合L=640	Groove welding (inner)L=640	1	H=3000
	254129010015	内导槽焊合L=715	Groove welding (inner)L=715	1	H=3300
	254129010016	内导槽焊合L=765	Groove welding (inner)L=765	1	H=3500
	254129010017	内导槽焊合L=815	Groove welding (inner)L=815	1	H=3700
	254129010018	内导槽焊合L=890	Groove welding (inner)L=890	1	H=4000
19	255030520021	滑轮Φ110x27(单槽)	pulleyΦ110x27	4	
20	910300500003	螺母GB889.1-M6-10	Nut GB889.1-M6-10	2	
21	910400200005	大垫圈GB96.1-12-200HV	Washer GB96.1-12-200HV	4	
22	254128520059	滑轮支板	Pulley frame	2	
23	254129020053	隔套Φ18xΦ14x56	BushΦ18xΦ14x56	1	
24	255030520022	衬套Φ20xΦ13x56	BushΦ20xΦ13x56	2	
25	254129020054	滑轮销轴	Axle	1	
26	910200200059	螺钉GB70.1-M8x30-8.8	Screw GB70.1-M8x30-8.8	4	
27	254143520056	轮轴Φ40x91	Axle Φ40x91	1	
28	254143510050	链轮座焊合	sprocket seat welded	1	
29	254128510002	内导槽焊合L=515	Groove welding (inner)L=515	1	H=2500
	254128510003	内导槽焊合L=565	Groove welding (inner)L=565	1	H=2700
	254128510004	内导槽焊合L=640	Groove welding (inner)L=640	1	H=3000
	254128510005	内导槽焊合L=715	Groove welding (inner)L=715	1	H=3300
	254128510006	内导槽焊合L=765	Groove welding (inner)L=765	1	H=3500
	254128510007	内导槽焊合L=815	Groove welding (inner)L=815	1	H=3700
	254128510008	内导槽焊合L=890	Groove welding (inner)L=890	1	H=4000
30	254128510001	过度钢管焊合	Excessive pipe welding	1	
31	255030520024	液压管总成(直)10-L1720-1SC-60°	Hydraulic hose assembly10-L1720-1S	2	H=2500
	255023520036	液压管总成(直)10-L1800-1SC-60°	Hydraulic hose assembly10-L1800-1S	2	H=2700
	255028520048	液压管总成(直)10-L1950-1SC-60°	Hydraulic hose assembly10-L1950-1S	2	H=3000
	254130520007	液压管总成(直)10-L2140-1SC-60°	Hydraulic hose assembly10-L2140-1S	2	H=3300
	252030520016	液压管总成(直)10-L2220-1SC-60°	Hydraulic hose assembly10-L2220-1S	2	H=3500

255098501038 门架(三级全自由门架)/MAST(three stage full free)



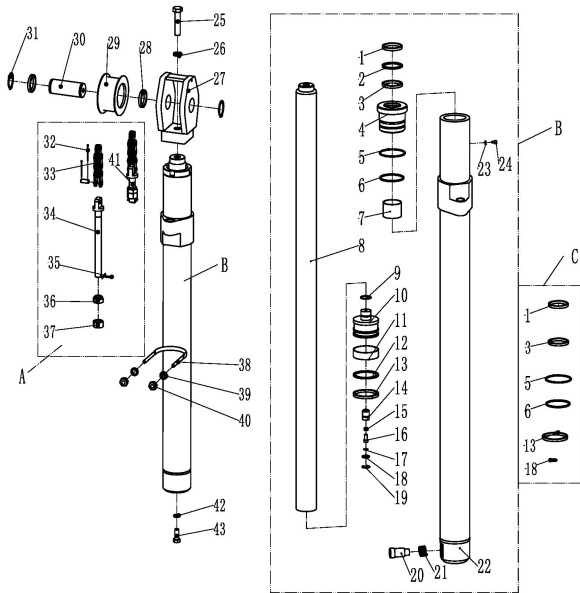
序号/NO	编码/SN	名称	Name	数量/QTY	备注/Remark
1	910100200016	螺栓GB5785-M16x1.5x70-8.8	Bolt GB5785-M16x1.5x70-8.8	4	
2	910400500010	弹簧垫圈GB93-16	Washer GB93-16	9	
3	254144020067	盖	Bearing cover	2	
4	254144020063	轴瓦	Bearing bush	2	
5	910100300035	螺栓GB5783-M10x20-8.8	Bolt GB5783-M10x20-8.8	4	
6	910400500007	弹簧垫圈GB93-10	Washer GB93-10	10	
7	255044010057	带耳轴Φ30x82	Axle Φ30x82	2	
8	252144511001	外门架焊合(4000)	Outer mast 4000	1	H=4000
	252144511002	外门架焊合(4350)	Outer mast 4350	1	H=4350
	252144511003	外门架焊合(4500)	Outer mast 4500	1	H=4500
	252144511004	外门架焊合(4800)	Outer mast 4800	1	H=4800
	252144511005	外门架焊合(5000)	Outer mast 5000	1	H=5000
	252144511006	外门架焊合(5500)	Outer mast 5500	1	H=5500
	252144511007	外门架焊合(6000)	Outer mast 6000	1	H=6000
9	252144513001	中门架焊合(4000)	Middle mast 4000	1	H=4000
	252144513002	中门架焊合(4350)	Middle mast 4350	1	H=4350
	252144513003	中门架焊合(4500)	Middle mast 4500	1	H=4500
	252144513004	中门架焊合(4800)	Middle mast 4800	1	H=4800
	252144513005	中门架焊合(5000)	Middle mast 5000	1	H=5000
	252144513006	中门架焊合(5500)	Middle mast 5500	1	H=5500
	252144513007	中门架焊合(6000)	Middle mast 6000	1	H=6000
10	910100400028	螺栓GB5786-M16x1.5x35-8.8	Bolt GB5786-M16x1.5x35-8.8	4	
11	910400500010	弹簧垫圈GB93-16	WasherGB93-16	9	
12	910400100010	平垫圈GB97.1-16-200HV	Washer GB97.1-16-200HV	4	
13	940200300048	复合滚轮Φ79.1-range=52.5-56.5	Composite roller Φ 79.1 = 52.5-56.5	8	
13	940200300047	复合滚轮Φ78.80-range=52.5-56.5	Composite roller Φ 78.8 = 52.5-56.5	8	
14	910401300020	轴用弹性挡圈GB894.1-40	Cir clip GB894.1-40	8	
15	254144520030	内门架链条固定板	Chain plate	1	
16	252144520030	内门架链条固定板	Chain plate	1	
17	252144512001	内门架焊合(4000)	Inner mast 4000	1	H=4000
	252144512002	内门架焊合(4350)	Inner mast 4350	1	H=4350

255098501040 短升降油缸 (三级全自由) /Short lifting cylinder (three stage full free)



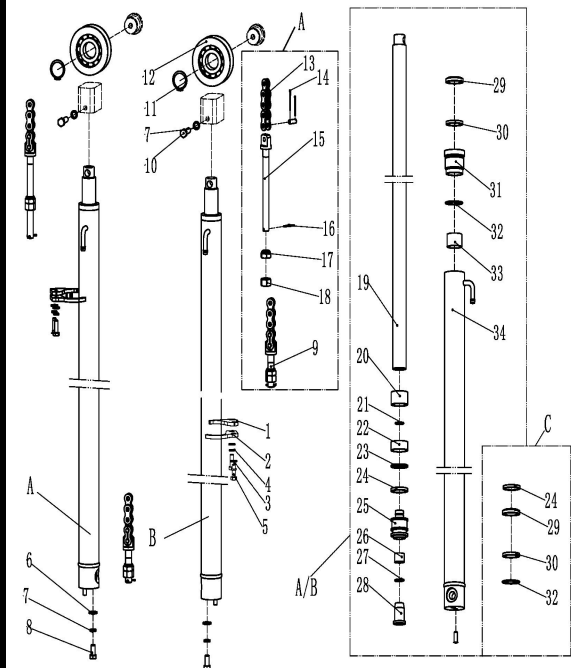
序号/NO	编码/SN	名称	Name	数量/QTY	备注/Remark
A	254143515001	起升链条LH1266-67	Lifting chain LH1266-67	2	H=4000
	254143510061	起升链条LH1266-71	Lifting chain LH1266-71	2	H=4350
	254144510015	起升链条LH1266-73	Lifting chain LH1266-73	2	H=4500
	254144510016	起升链条LH1266-75	Lifting chain LH1266-75	2	H=4800
	254144510017	起升链条LH1266-77	Lifting chain LH1266-77	2	H=5000
	254144540004	起升链条LH1266-81	Lifting chain LH1266-81	2	H=5500
	252143510071	起升链条LH1266-85	Lifting chain LH1266-85	2	H=6000
B	254144510030	油缸 (M) (H=4000)	Cylinder (M)(H=4000)	1	H=4000
	254144510031	油缸 (M) (H=4350)	Cylinder (M)(H=4350)	1	H=4350
	254144510032	油缸 (M) (H=4500)	Cylinder (M)(H=4500)	1	H=4500
	254144510033	油缸 (M) (H=4800)	Cylinder (M)(H=4800)	1	H=4800
	254144510034	油缸 (M) (H=5000)	Cylinder (M)(H=5000)	1	H=5000
	254144510035	油缸 (M) (H=5500)	Cylinder (M)(H=5500)	1	H=5500
	254144510036	油缸 (M) (H=6000)	Cylinder (M)(H=6000)	1	H=6000
C	254198510005	密封件修理包 (三级全自由中缸)	Seal kits (three stage full free lifting cy	1	
1	▲	防尘圈	Dust ring	1	
2	▲	挡片50x60x3	Catch 50×60×3	1	
3	▲	轴用密封	Seal ring	1	
4	▲	导向套	Glide sleeve	1	
5	▲	O型密封圈D75	O ring D75	1	
6	▲	O型密封圈D70	O ring D75	1	
7	▲	钢背轴承 5035	Bearing5035	1	
8	▲	活塞杆	Piston rod	1	
9	▲	钢丝挡圈	Circlip	1	
10	▲	活塞体	Piston assembly	1	
11	▲	支承环70x20x3	Support ring 70x20x3	1	
12	▲	挡片70x60x3	Catch 70x60x3	1	
13	▲	孔用密封圈	Seal ring	1	
14	▲	阀套	Valve cover	1	
15	▲	弹簧	Spring	1	
16	▲	阀芯	Valve plug	1	

255098501040 短升降油缸 (三级全自由) /Short lifting cylinder (three stage full free)



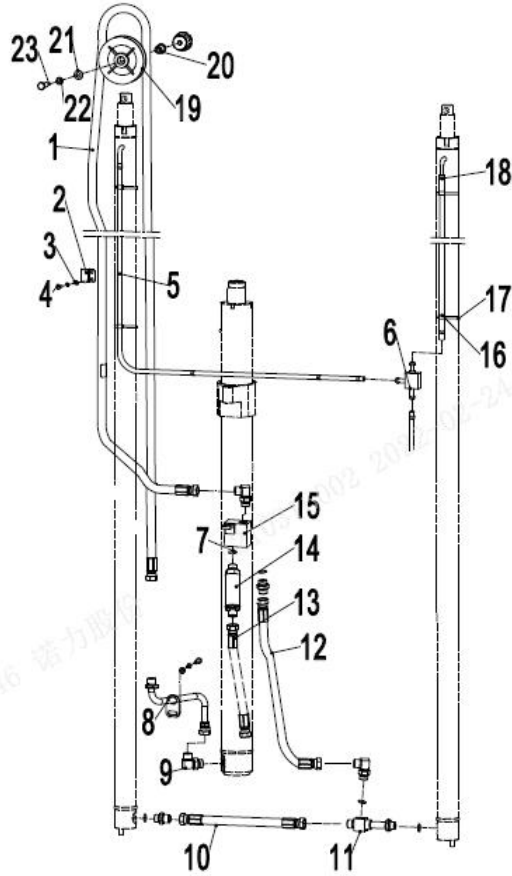
序号/NO	编码/SN	名称	Name	数量/QTY	备注/Remark
17	▲	挡片	Catch	1	
18	▲	O型密封圈D20x2.4	O ring	1	
19	▲	挡圈 22	Circlip 22	1	
20	▲	滑阀	Slide valve	1	
21	▲	弹簧2.3x15x48.5	Spring2.3x15x48.5	1	
22	▲	缸体	Cylinder	1	
23	▲	垫片	Spacer	1	
24	▲	内六角圆柱头螺钉M5x5	Screw M5x5	1	
25	910100300069	螺栓5783-M16x35-8.8	Bolt GB5783-M16x35-8.8	1	
26	910400500010	弹簧垫圈GB93-16	SpringWasherGB93-16	1	
27	254144510020	链轮座	Chain wheel base	1	
28	254144520029	链轮垫圈	Chain wheel washer	1	
29	940200500009	链轮轴承785208-00-φ95xφ40x47	Chain wheel bearing 785208-00-φ95x	1	
30	254144520031	链轮轴	Chain wheel bearing	1	
31	910401300020	轴用弹性挡圈GB894.1-40	Circlip GB894.1-40	2	
32	910600600011	开口销GB91-2x12	split pin2x12	2	
33	910900400013	板式链GB6074-LH1266	LH1266 chain	2	
34	254143520070	链条螺栓M18x1.5x185.5	Joint	2	
35	910600600032	开口销GB91-3.2x40	Split pin 3.2x40	2	
36	255044020158	球面螺母M18x1.5	Nut M18x1.5	2	
37	910300400007	螺母GB6173-M18x1.5-05	Nut M18x1.5	2	
38	254144520032	油缸固定环	Hydro cylinder fixed loop	1	
39	910400500006	弹簧垫圈GB93-8	Spring Washer GB93-8	2	
40	910300100006	螺母GB6170-M8-10	Bolt GB6170-M8-10	2	
41	254143520071	链条螺栓M18x1.5x90.5	Joint	2	
42	910400500008	弹簧垫圈GB93-12	SpringWasherGB93-12	1	
43	910100400009	螺栓GB5786-M12x1.25x25-8.8	BoltGB5786-M12x1.25x25-8.8	1	

255098501041 起升油缸(三级全自由)/Lifting cylinder(three stage full free)



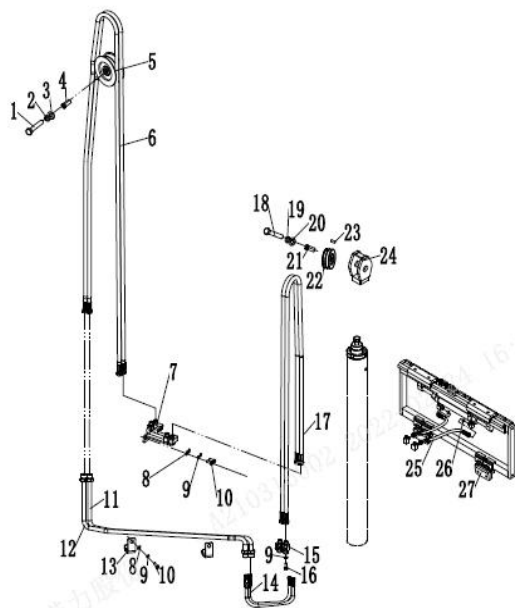
序号/NO	编码/SN	名称	Name	数量/QTY	备注/Remark
A	254144510044	油缸(L)(H=4000)	Cylinder(L)(H=4000)	1	H=4000
	254144510045	油缸(L)(H=4350)	Cylinder(L)(H=4350)	1	H=4350
	254144510046	油缸(L)(H=4500)	Cylinder(L)(H=4500)	1	H=4500
	254144510047	油缸(L)(H=4800)	Cylinder(L)(H=4800)	1	H=4800
	254144510048	油缸(L)(H=5000)	Cylinder(L)(H=5000)	1	H=5000
	254144510049	油缸(L)(H=5500)	Cylinder(L)(H=5500)	1	H=5500
	254144510050	油缸(L)(H=6000)	Cylinder(L)(H=6000)	1	H=6000
B	254144510051	油缸(R)(H=4000)	CyRinder(R)(H=4000)	1	H=4000
	254144510052	油缸(R)(H=4350)	CyRinder(R)(H=4350)	1	H=4350
	254144510053	油缸(R)(H=4500)	CyRinder(R)(H=4500)	1	H=4500
	254144510054	油缸(R)(H=4800)	CyRinder(R)(H=4800)	1	H=4800
	254144510055	油缸(R)(H=5000)	CyRinder(R)(H=5000)	1	H=5000
	254144510056	油缸(R)(H=5500)	CyRinder(R)(H=5500)	1	H=5500
	254144510057	油缸(R)(H=6000)	CyRinder(R)(H=6000)	1	H=6000
C	254198510003	密封件修理包(三级全自由起升缸)	Seal kits(three stage full free lifting cyl	2	
D	254144014002	起升链条LH1223T-93	Lifting chainLH1223T-93	2	H=4000
	254144014003	起升链条LH1223T-101	Lifting chainLH1223T-101	2	H=4350
	254144514002	起升链条LH1223T-103	Lifting chainLH1223T-103	2	H=4500
	254144014004	起升链条LH1223T-109	Lifting chainLH1223T-109	2	H=4800
	254144014005	起升链条LH1223T-113	Lifting chainLH1223T-113	2	H=5000
	254144514008	起升链条LH1223T-123	Lifting chainLH1223T-123	2	H=5500
	254144514009	起升链条LH1223T-131	Lifting chainLH1223T-131	2	H=6000
1	254144520093	内抱箍	Inner hoop	2	
2	254144520092	外抱箍	Outer hoop	2	
3	910400500007	弹簧垫圈GB93-10	Washer GB93-10	4	
4	910400100007	平垫圈GB97.1-10-200HV	Washer GB97.1-10-200HV	4	
5	910100300037	螺栓GB5783-M10x30-8.8	BoltM10x30	4	
6	910400100008	平垫圈GB97.1-12-200HV	Washer GB97.1-12-200HV	2	
7	910400500008	弹簧垫圈GB93-12	Washer GB93-12	4	
8	910100400009	螺栓GB5786-M12x1.25x25-8.8	Bolt GB5786-M12x1.25x25-8.8	2	
9	251044020064	链条螺栓M16x1.5-90	Chain bolt	2	

255098501042 门架起升管路 (三级全自由门架) / SINGLE ADDITIONAL TUBE (three stage full free)



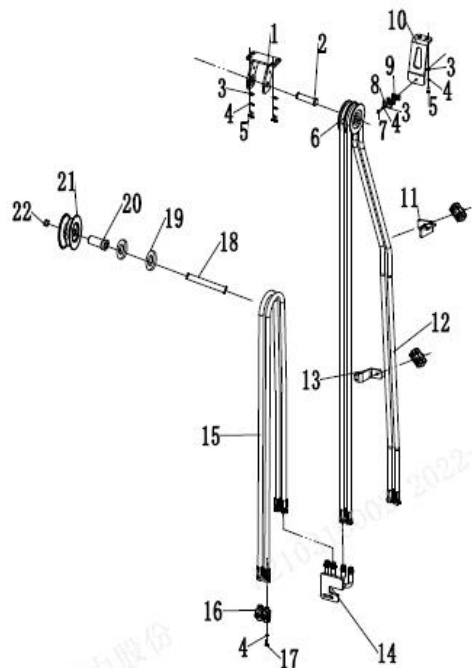
序号/NO	编码/SN	名称	Name	数量/QTY	备注/Remark
1	254144520041	液压管总成(直)12-L2900-2SC-60°	Hydraulic hose assembly 12-L2900-2SC-60°	1	H=4000
1	254144520042	液压管总成(直)12-L3150-2SC-60°	Hydraulic hose assembly 12-L3150-2SC-60°	1	H=4350
1	254144520043	液压管总成(直)12-L3250-2SC-60°	Hydraulic hose assembly 12-L3250-2SC-60°	1	H=4500
1	254144520044	液压管总成(直)12-L3450-2SC-60°	Hydraulic hose assembly 12-L3450-2SC-60°	1	H=4800
1	254144520045	液压管总成(直)12-L3650-2SC-60°	Hydraulic hose assembly 12-L3650-2SC-60°	1	H=5000
1	254144520046	液压管总成(直)12-L3950-2SC-60°	Hydraulic hose assembly 12-L3950-2SC-60°	1	H=5500
1	254144520047	液压管总成(直)12-L4350-2SC-60°	Hydraulic hose assembly 12-L4350-2SC-60°	1	H=6000
2	255044520132	油管夹	Tubing clamps	4	
3	910400500005	弹簧垫圈GB93-6	Spring washer gb93-6	4	
4	910200200035	螺钉GB70.1-M6x16-8.8	Screw GB70.1 M6x16-8.8	4	
5	900200301004	软管13x1.5/PE	PE Supple pipe13x1.5	3	
6	255044020118	接头(三通)	Connector (tee)	1	
7	▲	O形圈-内19x2.65	O - inner 19x2.65	3	
8	252144519001	中缸过渡钢管焊合	Medium cylinder transition steel pipe v	1	
9	255043520022	接头(锁定弯)12-M27x2-M22x1.5	Connector (lock bend) 12-M27x2-M22x1.5	1	
10	254144020039	液压管总成(直)12-L345-2SC-60°	Hydraulic pipe assembly (straight) 12-	1	
11	254144020038	接头(三通)	Connector (tee)	1	
12	252144529002	液压管总成(直)12-L530-2SC-60°	Hydraulic pipe assembly (straight) 12-	1	
13	252144529003	液压管总成(直)15-L800-2SC-60°	Hydraulic pipe assembly 15-L800-2SC	1	
14	950700300001	限速阀XSF-F16L-40	The speed limit valve XSF-F16L-40	1	
15	252144519002	三通焊合	Tee welded	1	
16	255044020042	压板	clamp	4	
17	921600400001	扎带4x250	4 x250 tie	6	
18	255044020043	卡箍13	Clamp 13	6	
19	255030520021	滑轮Φ110x27(单槽)	Pulley Φ x27 110 (single slot)	1	
20	255044520081	衬套(带肩)Φ20xΦ13x28	Bushings (shoulder) Φ Φ 13 x 20 x28	1	
21	910400200005	大垫圈GB96.1-12-200HV	big washer GB96.1-12-200HV	1	
22	910400500008	弹簧垫圈GB93-12	Spring washer gb93-12	1	
23	910100300054	螺栓GB5783-M12x50-8.8	Bolt GB5783 M12x50-8.8	1	

255098501043 侧移器及管路安装 (三级全自由) /Side shifter and pipeline installation(three stage full free)



序号/NO	编码/SN	名称	Name	数量/QTY	备注/Remark
1	910100100054	螺栓GB5782-M12x80-8.8	Bolt GB5782-M12x80-8.8	2	
2	910400500008	弹簧垫圈GB93-12	Washer GB93-12	2	
3	910400200005	大垫圈GB96.1-12-200HV	Washer GB96.1-12-200HV	2	
4	254130520016	衬套Φ20xΦ13x43	Bushing Φ20xΦ13x43	1	
5	255030520020	滑轮Φ120x42(双槽)	Pulley Φ120x42	1	
6	255028520019	液压管总成(直)10-L2570-1SC-60°	Hydraulic hose assembly 10-L2570-1SC-60°	1	H=4000
6	254130520001	液压管总成(直)10-L2810-1SC-60°	Hydraulic hose assembly 10-L2810-1SC-60°	2	H=4350
6	252130520701	液压管总成(直)10-L2915-1SC-60°	Hydraulic hose assembly 10-L2915-1SC-60°	2	H=4500
6	254130520002	液压管总成(直)10-L3110-1SC-60°	Hydraulic hose assembly 10-L3110-1SC-60°	2	H=4800
6	256528520901	液压管总成(直)10-L3310-1SC-60°	Hydraulic hose assembly 10-L3310-1SC-60°	2	H=5000
6	255028520059	液压管总成(直)10-L3600-1SC-60°	Hydraulic hose assembly 10-L3600-1SC-60°	2	H=5500
6	252130520702	液压管总成(直)10-L4015-1SC-60°	Hydraulic hose assembly 10-L4015-1SC-60°	2	H=6000
7	254130510001	侧移钢管焊合	Side moving steel pipe welding	1	
8	910400100006	平垫圈GB97.1-8-200HV	Washer GB97.1-8-200HV	7	
9	910400500006	弹簧垫圈GB93-8	Washer GB93-8	7	
10	910100300020	螺栓GB5783-M8x16-8.8	Bolt GB5783-M8x16-8.8	5	
11	252130510001	液压钢管总成1	Hydraulic steel pipe assembly1	1	
12	252130510002	液压钢管总成2	Hydraulic steel pipe assembly2	1	
13	252130520001	管夹	pipe clamp	3	
14	252130520003	液压管总成(直)10-L930-1SC-60°	Hydraulic hose assembly 10-L930-1SC-60°	2	
15	255029020024	接头(锁定弯)8-2xM16x1.5-60°	Joint (locking bend)8-2xM16x1.5-60°	2	
16	910200200059	螺钉GB70.1-M8x30-8.8	screw GB70.1-M8x30-8.8	2	
17	263028520004	液压管总成(直)10-L1690-1SC-60°	Hydraulic hose assembly 10-L1690-1SC-60°	4	H=4000
17	252128521001	液压管总成(直)10-L1810-1SC-60°	Hydraulic hose assembly 10-L1810-1SC-60°	4	H=4350
17	254130520005	液压管总成(直)10-L1890-1SC-60°	Hydraulic hose assembly 10-L1890-1SC-60°	4	H=4500
17	255031020705	液压管总成(直)10-L1980-1SC-60°	Hydraulic hose assembly 10-L1980-1SC-60°	4	H=4800
17	255030520711	液压管总成(直)10-L2090-1SC-60°	Hydraulic hose assembly 10-L2090-1SC-60°	4	H=5000
17	253528520009	液压管总成(直)10-L2250-1SC-60°	Hydraulic hose assembly 10-L2250-1SC-60°	4	H=5500
17	263030520017	液压管总成(直)10-L2390-1SC-60°	Hydraulic hose assembly 10-L2390-1SC-60°	4	H=6000
18	910100100054	螺栓GB5782-M12x80-8.8	Bolt GB5782-M12x80-8.8	2	
19	910400500008	弹簧垫圈GB93-12	Washer GB93-12	2	

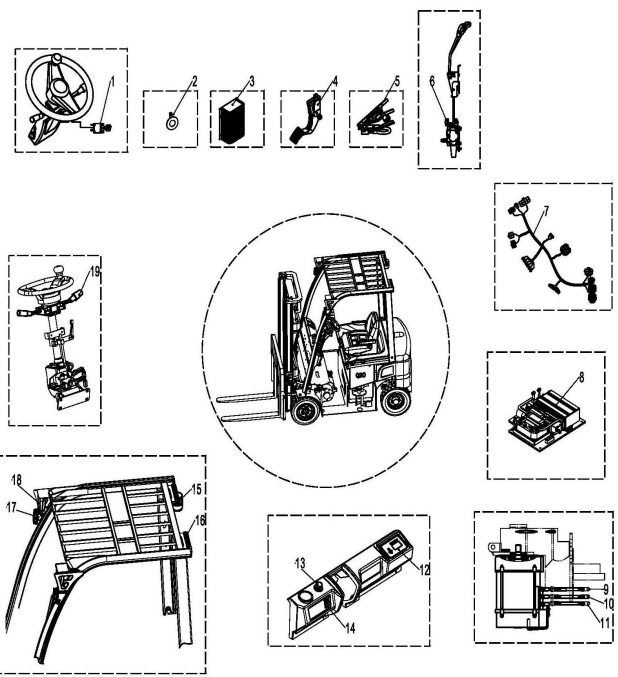
255098501044 双附加管路 (三级全自由) / (three stage full free)



序号/NO	编码/SN	名称	Name	数量/QTY	备注/Remark
1	254131010002	滑轮支架焊合	Pulley support welded	1	
2	255031020004	带耳轴 Φ20x70	Axis Φ20x70	1	
3	910400100006	平垫圈GB97.1-8-200HV	WasherGB97.1-8-200HV	2	
4	910400500006	弹簧垫圈GB93-8	Washe GB93-8	2	
5	910100300020	螺栓GB5783-M8x16-8.8	Bolt GB5783-M8x16-8.8	2	
6	255031020007	滑轮 Φ90x22(单槽)	Pulley Φ90x22	2	
7	910200200062	螺钉GB70.1-M8x45-8.8	Screw GB70.1-M8x45-8.8	3	
8	255028520035	安装板(管夹)	mounting plate	3	
9	255028520034	胶管固定块	Pipe press fixedly piank	6	
10	281231020101	支架	Holder	1	
11	281231020102	胶管安装板	Hose mounting plate	1	
12	281228011001	液压管总成(直)10-L3700-1SC-60°	Hydraulic pipe welding10-L3700-1SC-	2	H=4000
	256529020902	液压管总成(直)10-L3980-1SC-60°	Hydraulic pipe welding10-L3980-1SC-	2	H=4350
	256530520704	液压管总成(直)10-L4070-1SC-60°	Hydraulic pipe welding10-L4070-1SC-	2	H=4500
	255028520048	液压管总成(直)10-L4300-1SC-60°	Hydraulic pipe welding10-L4300-1SC-	2	H=4800
	255028520048	液压管总成(直)10-L4500-1SC-60°	Hydraulic pipe welding10-L4500-1SC-	2	H=5000
	255028520048	液压管总成(直)10-L4700-1SC-60°	Hydraulic pipe welding10-L4700-1SC-	2	H=5500
	281227511006	液压管总成(直)10-L5200-1SC-60°	Hydraulic pipe welding10-L5200-1SC-	2	H=6000
13	252131020001	胶管固定板(四联)	Rubber hose fixing plate	1	
14	254131010001	钢管(四联阀)焊合	Hydraulic pipe welding	1	
15	263028520004	液压管总成(直)10-L1690-1SC-60°	Hydraulic hose assembly 10-L1690-1S	4	H=4000
	252128521001	液压管总成(直)10-L1810-1SC-60°	Hydraulic hose assembly 10-L1810-1S	4	H=4350
	254130520005	液压管总成(直)10-L1890-1SC-60°	Hydraulic hose assembly 10-L1890-1S	4	H=4500
	255031020705	液压管总成(直)10-L1980-1SC-60°	Hydraulic hose assembly 10-L1980-1S	4	H=4800
	255030520711	液压管总成(直)10-L2090-1SC-60°	Hydraulic hose assembly 10-L2090-1S	4	H=5000
	253528520009	液压管总成(直)10-L2250-1SC-60°	Hydraulic hose assembly 10-L2250-1S	4	H=5500
	263030520017	液压管总成(直)10-L2390-1SC-60°	Hydraulic hose assembly 10-L2390-1S	4	H=6000
16	255029020024	接头(锁定弯)8-2xM16x1.5-60°	Joint (locking bend)8-2xM16x1.5-60°	2	
17	910200200059	螺钉GB70.1-M8x30-8.8	Screw GB70.1-M8x30-8.8	2	
18	910100100054	螺栓GB5782-M12x80-8.8	Bolt GB5782-M12x80-8.8	2	
19	910400200005	大垫圈GB96.1-12-200HV	WasherGB96.1-12-200HV	4	

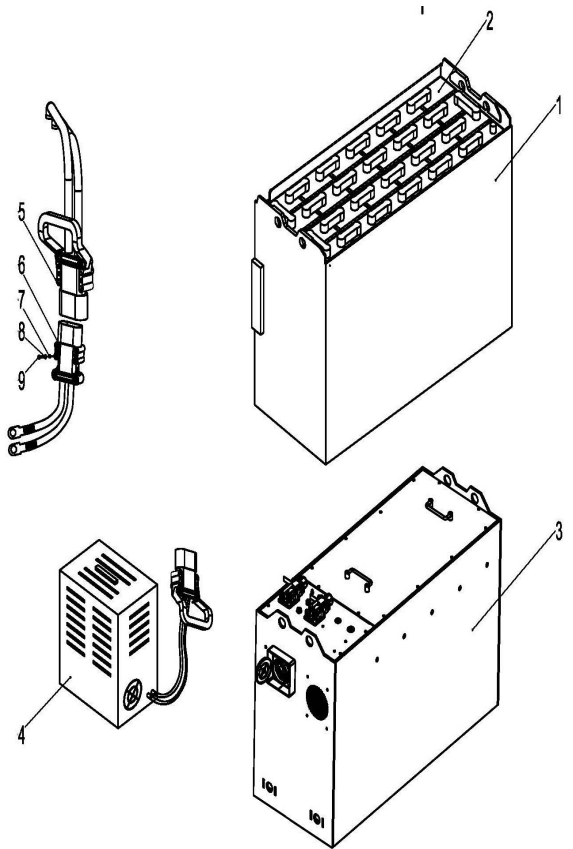
255098501045 电器系统/ELECTRONIC

序号/NO	编码/SN	Name	名称	数量/QTY	备注/Remark
1	920200200002	Key switch	钥匙开	1	
2	920500100001	Horn 125-DC24V	喇叭125-DC24V	1	
3	272333510002	The converter is DC48V to 24V	转换器DCP48W300-24V	1	
4	921700100012	Accelerator M0126D1 (ORG)	加速器MO126D1(ORG)	1	
5	921700100015	Accelerator JCTH2-5L	加速器JCTH2-5L	1	
	921700100005	Accelerator FZ3-532-133	加速器FZ3-532-133	1	Curtis
6	920200300004	Micro switch RZ-15GQ22-B3	微动开关RZ-15GQ22-B3	3	
7	252133010001	Body wire harness (Inmotion-4P20Q)	车身线束(Inmotion-4P20Q-1)	1	Inmotion半交流
	252133010009	Body wire harness (Inmotion-4P20Q)	车身线束(Inmotion-4P20Q-2)	1	Inmotion全交流
	252133010015	Body wire harness (Curtis-4P20Q-1)	车身线束(Curtis-4P20Q-1)	1	Curtis半交流
	252133010016	Body wire harness (Curtis-4P20Q-2)	车身线束(Curtis-4P20Q-2)	1	Curtis全交流
	252133010103	Body wire harness (ACM-4P20Q)	车身线束(ACM系统-4P20Q)	1	ACM全交流
	252133010028	Body wire harness (Curtis-F-4P20Q)	车身线束(Curtis-F系列-4P20Q)	1	Curtis-F系列
8	252133010027	Electronic control components (Curtis-F)	电控组件(Curtis-F系列-4P20Q)	1	Curtis-F系列
	252133010102	Electronic control components (ACM)	电控组件(ACM系统-4P20Q)	1	ACN全交流
	252133010002	Electronic control components (Inmotion)	电控组件(Inmotion-4P20Q-1)	1	Inmotion半交流
	252133010008	Electronic control components (Inmotion)	电控组件(Inmotion-4P20Q-2)	1	Inmotion全交流
	252133010013	Electronic control components (Curtis)	电控组件(Curtis-4P20Q-1)	1	Curtis半交流
	252133010014	Electronic control components (Curtis)	电控组件(Curtis-4P20Q-2)	1	Curtis全交流
9	252133010005	Cable-U-35-8-8-2400	线缆-U-35-8-8-2400	1	
10	252133010006	Cable-U-35-8-8-2400	线缆-U-35-8-8-2400	1	
11	252133010007	Cable-U-35-8-8-2400	线缆-U-35-8-8-2400	1	
12	921100100045	Instrument IDD-E-35CD17B	仪表IDD-E-35CD17B	1	
13	920200100020	Emergency stop switch LAY39-01MJ-F	急停开关LAY39-01MJ-RC	1	
14	920200800020	Warped plate switch yb-nuoli-003	翘板开关YB-nuoli-003	1	
15	922000100050	Caution Light FLDJ-JSD-001	灯FLDJ-JSD-001	1	
	922000100051	Caution Light FLDJ-JSD-002	灯FLDJ-JSD-002	1	
16	922000100053	Grouped Lamps FLDJ-SSWD-003	灯FLDJ-SSWD-003	2	
17	922000100059	Wldth Lamp FLDJ-JSD-002	灯FLDJ-JSD-002	2	
18	922000100048	Head Lamp FLDD-4Z-002	灯FLDD-4Z-002	3	
19	920200800013	Combination switch JK361B-1003	组合开关JK361B-1003	1	



255098501050 蓄电池/BATTERY

序号/NO	编码/SN	Name	名称	数量/QTY	备注/Remark
1	252137010001	Traction battery 48v-4Pzs460H(weld)	牵引电池48V-4PzS460H(焊)	1	
	252137010002	Traction battery 48v-4Pzs460H(bolt)	牵引电池48V-4PzS460H(螺)	1	
	252137010005	Traction battery 48v-4Pzs400(weld)	牵引电池48V-4PzS400(焊)	1	
	252137010006	Traction battery 48v-4Pzs400(bolt)	牵引电池48V-4PzS400(螺)	1	
	252137010009	Traction battery 48v-4Pzs360(weld)	牵引电池48V-4PzS360(焊)	1	
	252137010010	Traction battery 48v-4Pzs360(bolt)	牵引电池48V-4PzS360(螺)	1	
2	252198537001	Battery cell 48v-4Pzs460H(weld)	电池单体48V-4PzS460HAh	1	
	252198537003	Battery cell 48v-4Pzs460H(weld)	电池单体48V-4PzS460HAh	1	
	252198537005	Battery cell 48v-4Pzs400(weld)	电池单体48V-4PzS400Ah	1	
	252198537007	Battery cell 48v-4Pzs400(weld)	电池单体48V-4PzS400Ah	1	
	252198537009	Battery cell 48v-4Pzs360(weld)	电池单体48V-4PzS360Ah	1	
	252198537011	Battery cell 48v-4Pzs360(weld)	电池单体48V-4PzS360Ah	1	
3	252137012107	Lithium battery LFP48A-400R-H-GF1	锂电池LFP48A-400R-H-GF1	1	400Ah【带加热】
	252137012108	Lithium battery LFP48A-300R-H-GF1	锂电池LFP48A-300R-H-GF1	1	300Ah【带加热】
	252137012109	Lithium battery LFP48B-200R-H-GF1	锂电池LFP48B-200R-H-GF1	1	200Ah【带加热】
	252137012116	Lithium battery LFP48A-400R-GF1	锂电池LFP48A-400R-GF1	1	400Ah【5年】
	252137012111	Lithium battery LFP48A-300R-GF1	锂电池LFP48A-300R-GF1	1	300Ah【5年】
	252137012112	Lithium battery LFP48B-200R-GF1	锂电池LFP48B-200R-GF1	1	200Ah【5年】
	252137012117	Lithium battery LFP48A-554R-GF1	锂电池LFP48A-554R-GF1	1	554Ah【5年】
	252137012114	Lithium battery LFP48A-315R-GF1	锂电池LFP48A-315R-GF1	1	315Ah【3年】
	252137012115	Lithium battery LFP48B-210R-GF1	锂电池LFP48B-210R-GF1	1	210Ah【3年】
	252137013101	Lithium battery LFP48B-200R-H-GF2	锂电池LFP48B-200R-H-GF2	1	200Ah【加热国际】
	252137013102	Lithium battery LFP48A-300R-H-GF2	锂电池LFP48A-300R-H-GF2	1	300Ah【加热国际】
	252137013103	Lithium battery LFP48B-400R-H-GF2	锂电池LFP48B-400R-H-GF2	1	400Ah【加热国际】
	252137013104	Lithium battery LFP48A-554R-H-GF2	锂电池LFP48A-554R-H-GF2	1	554Ah【加热国际】
	252137013105	Lithium battery LFP48B-200R-GF2	锂电池LFP48B-200R-GF2	1	200Ah【国际版】
	252137013106	Lithium battery LFP48A-300R-GF2	锂电池LFP48A-300R-GF2	1	300Ah【国际版】
	252137013107	Lithium battery LFP48B-400R-GF2	锂电池LFP48B-400R-GF2	1	400Ah【国际版】
	252137013108	Lithium battery LFP48A-554R-GF2	锂电池LFP48A-554R-GF2	1	554Ah【国际版】
	4	921000200273	Lead acid Charger DF48V55A(国内三相380V)	铅酸充电器DF48V55A(国内三相380V)	1
921000200068		Lead acid Charger SN48V55A(三相380V-415V)	铅酸充电器SN48V55A(三相380V-415V)	1	



255098501050 蓄电池/BATTERY

序号/NO	编码/SN	Name	名称	数量/QTY	备注/Remark
4	921000200071	Lead acid Charger SN48V55A(415V+AU	铅酸充电器SN48V55A(415V+澳式)	1	配铅酸电池
	921000200565	Lead acid Charger SN48V55A(220V+AM	铅酸充电器SN48V55A(220V+美式)	1	
	921000200072	Lead acid Charger SN48V55A(480V+AM	铅酸充电器SN48V55A(480V+美式)	1	
	921000200067	Lead acid Charger SN48V55A(国内三	铅酸充电器SN48V55A(国内三相380V)	1	
	252102036501	Li Charger ADY48V150A(three phase	锂电充电器ADY48V150A(国内三相380	1	配300Ah/400Ah
	252102036502	Li Charger ADY48V150A(3phase 380V	锂电充电器ADY48V150A(三相380V-4	1	配300Ah/400Ah
	252102036504	Li Charger ADY48V150A(240V+America	锂电充电器ADY48V150A(240V+美式)	1	配300Ah/400Ah
	252102036505	Li Charger ADY48V150A(480V+America	锂电充电器ADY48V150A(480V+美式)	1	配300Ah/400Ah
	252102036506	Li Charger ADY48V200A(three phase	锂电充电器ADY48V200A(国内三相380	1	配400Ah/554Ah
	252102036507	Li Charger ADY48V200A(3phase 380V	锂电充电器ADY48V200A(三相380V-4	1	配400Ah/554Ah
	252102036509	Li Charger ADY48V200A(240V+America	锂电充电器ADY48V200A(240V+美式)	1	配400Ah/554Ah
	252102036510	Li Charger ADY48V200A(480V+America	锂电充电器ADY48V200A(480V+美式)	1	配400Ah/554Ah
	252102036511	Li Charger ADY48V100A(three phase	锂电充电器ADY48V100A(国内三相380	1	配200Ah/300Ah
	252102036512	Li Charger ADY48V100A(3phase 380V	锂电充电器ADY48V100A(三相380V-4	1	配200Ah/300Ah
	252102036514	Li Charger ADY48V100A(240V+America	锂电充电器ADY48V100A(240V+美式)	1	配200Ah/300Ah
	252102036515	Li Charger ADY48V100A(480V+America	锂电充电器ADY48V100A(480V+美式)	1	配200Ah/300Ah
	252102036519	Li Charger SUPEREC48V70A(three pha	锂电充电器SUPEREC48V70A(国内三	1	配200Ah
	252102036520	Li Charger SUPEREC48V100A(three ph	锂电充电器SUPEREC48V100A(国内三	1	配200Ah/300Ah
	252102036526	Li Charger YiJiaTong48V200A(three	锂电充电器YiJiaTong48V200A(国内三	1	配400Ah/554Ah
	252102036527	Li Charger ADY48V25A(three phase 3	锂电充电器ADY48V25A(国内三相380V	1	
252102036528	Li Charger ADY48V25A(110V+Americar	锂电充电器ADY48V25A(110V+美式)	1		
5	920400100021	Connectors REMA95043-39	接插件REMA95043-39	1	
6	920400100022	Connectors REMA95016-32	接插件REMA95016-32	1	
7	910200200046	Screw GB70.1 M6x60-8.8	螺钉GB70.1-M6x60-8.8	1	
8	910400100005	Washer GB97.1-6-200HV	平垫圈GB97.1-6-200HV	1	
9	910400500005	Spring washer GB93-6	弹簧垫圈GB93-6	1	

